



DISHTABLES

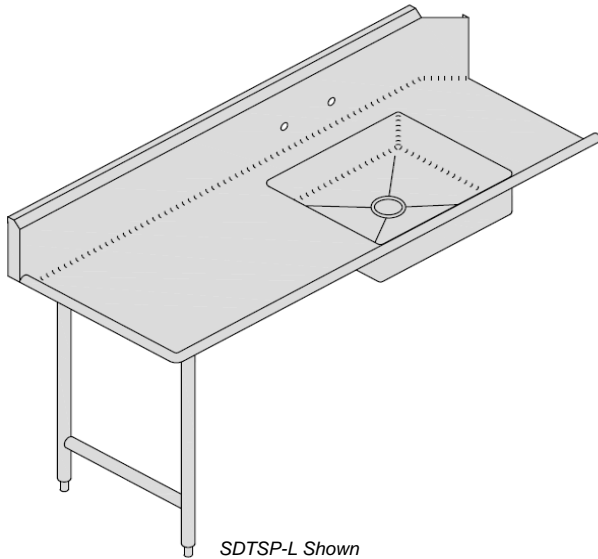
PREMIER LINE – 14 ga. S/S, All 304 S/S Construction

Soiled Dishtable, Straight	2
Clean Dishtable, Straight.	4
Clean Dishtable, 3 Compartment, Straight	6
Soiled Dishtable, Corner, L-Shape	8
Clean Dishtable, Corner, L-Shape	10
Soiled Dishtable, Island, L-Shape	12
Clean Dishtable, Island, L-Shape	14

STANDARD LINE – 16 ga. S/S, All 304 Construction

Soiled Dishtable, Straight	16
Clean Dishtable, Straight.	18
Clean Dishtable, 3 Compartment, Straight	20
Soiled Dishtable, Corner, L-Shape	22
Clean Dishtable, Corner, L-Shape	24
Soiled Dishtable, Island, L-Shape	26
Clean Dishtable, Island, L-Shape	28

Item #: _____ Qty #: _____
Model #: _____
Project: _____



SDTSP-L Shown

Features:

- Fully welded and polished tub
- Heavy duty construction
- Includes mounting bracket for easy installation

Construction:

- All sinks are fully welded and polished to a smooth grained finish.
- Backsplash turns down for a simple, sanitary installation
- 1 set of 8" on center faucet holes
- 20" X 20" X 6" intregal sink tub
- 10" backsplash
- Includes s/s basket drain

Custom Sizes Available!

Material:

Work Top: 14 gauge type "304" series stainless steel

Legs: 1 5/8" Ø stainless steel with adjustable feet

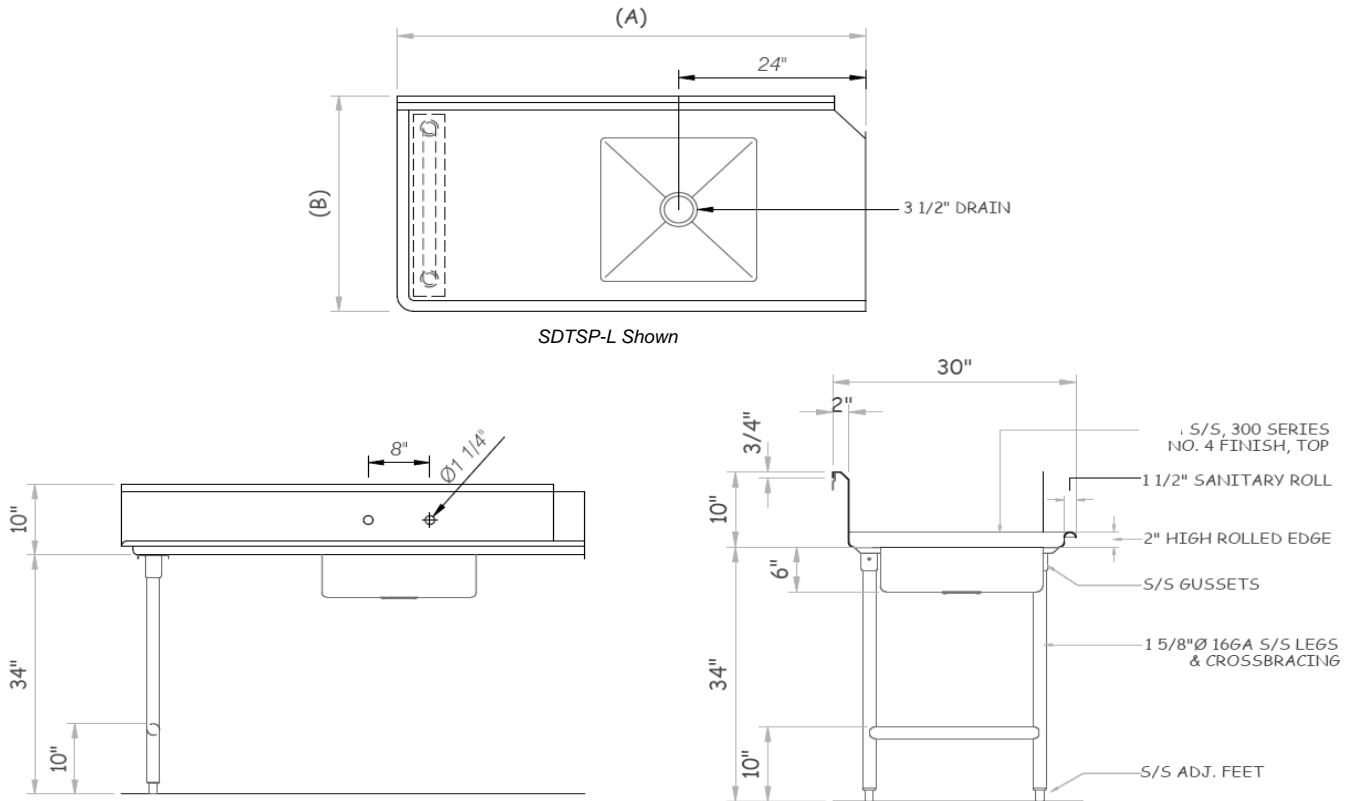
Gussets: Stainless steel

MODEL NUMBER (Left side of Dish Machine)	OVERALL DIMENSIONS		MODEL NUMBER (Right side of Dish Machine)	WT. (LBS.)
	A	B		
SDTSP-36L	36"	30"	SDTSP-36R	80
SDTSP-48L	48"	30"	SDTSP-48R	90
SDTSP-60L	60"	30"	SDTSP-60R	100
SDTSP-72L	72"	30"	SDTSP-72R	110
SDTSP-84L	84"	30"	SDTSP-84R	130
SDTSP-96L	96"	30"	SDTSP-96R	140
SDTSP-108L	108"	30"	SDTSP-108R	150
CUSTOM	OVERALL DIMS.		CUSTOM	

WT. = Crated shipping weight

Options:

- Right Splash
- Left Splash
- Pre-rinse faucet
- Add-on faucet
- S/S scrap basket (SBRSS)
- Rack Slides
- ST-30 Quick Drain
- Disposer Control Panel Brkt
- Disposer Switch Brkt
- Disposer Cone Weldment
- Disposer Flange Weldment
- Flange Feet
- Hi-lited Leading Edges
- Other _____



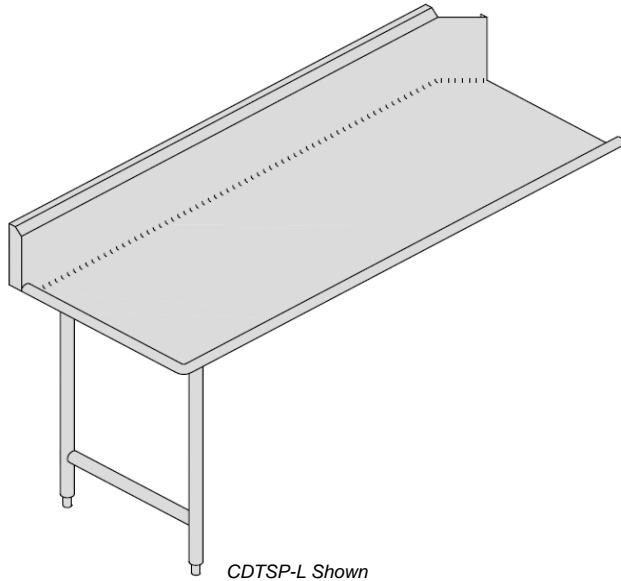
Custom Sizes Available!

MODEL NUMBER (Left side of Dish Machine)	OVERALL DIMENSIONS		MODEL NUMBER (Right side of Dish Machine)	WT. (LBS.)
	A	B		
SDTSP-36L	36"	30"	SDTSP-36R	80
SDTSP-48L	48"	30"	SDTSP-48R	90
SDTSP-60L	60"	30"	SDTSP-60R	100
SDTSP-72L	72"	30"	SDTSP-72R	110
SDTSP-84L	84"	30"	SDTSP-84R	130
SDTSP-96L	96"	30"	SDTSP-96R	140
SDTSP-108L	108"	30"	SDTSP-108R	150
CUSTOM	OVERALL DIMS.		CUSTOM	



WT. = Crated shipping weight

Item #: _____ Qty #: _____
Model #: _____
Project: _____



Features:

- Fully welded and polished
- Heavy duty construction
- Includes mounting bracket for easy installation

Construction:

- Backsplash turns down for a simple, sanitary installation
- 10" backsplash

Material:

Work Top: 14 gauge type "304" series stainless steel

Legs: 1 5/8" Ø stainless steel with adjustable feet

Gussets: Stainless steel

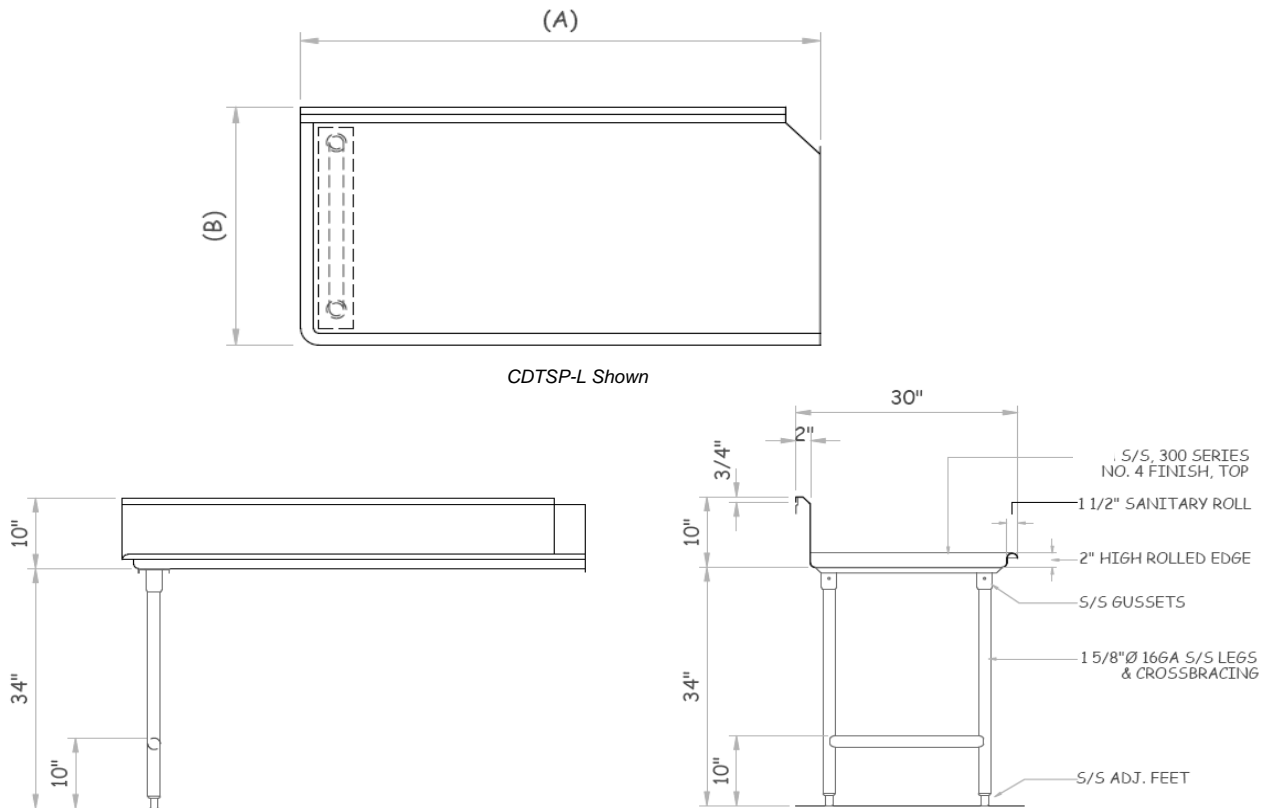
Custom Sizes Available!

Options:

- Right Splash
- Left Splash
- Flange Feet
- Hi-lited Leading Edges
- S/S Undershelf _____ (Inches)
- Other _____

MODEL NUMBER (Left side of Dish Machine)	OVERALL DIMENSIONS		MODEL NUMBER (Right side of Dish Machine)	WT. (LBS.)
	A	B		
CDTSP-36L	36"	30"	CDTSP-36R	40
CDTSP-48L	48"	30"	CDTSP-48R	50
CDTSP-60L	60"	30"	CDTSP-60R	60
CDTSP-72L	72"	30"	CDTSP-72R	80
CDTSP-84L	84"	30"	CDTSP-84R	100
CDTSP-96L	96"	30"	CDTSP-96R	110
CDTSP-108L	108"	30"	CDTSP-108R	120
CUSTOM	OVERALL DIMS.		CUSTOM	

WT. = Crated shipping weight



Custom Sizes Available!

MODEL NUMBER (Left side of Dish Machine)	OVERALL DIMENSIONS		MODEL NUMBER (Right side of Dish Machine)	WT. (LBS.)
	A	B		
CDTSP-36L	36"	30"	CDTSP-36R	40
CDTSP-48L	48"	30"	CDTSP-48R	50
CDTSP-60L	60"	30"	CDTSP-60R	60
CDTSP-72L	72"	30"	CDTSP-72R	80
CDTSP-84L	84"	30"	CDTSP-84R	100
CDTSP-96L	96"	30"	CDTSP-96R	110
CDTSP-108L	108"	30"	CDTSP-108R	120
CUSTOM	OVERALL DIMS.		CUSTOM	



WT. = Crated shipping weight

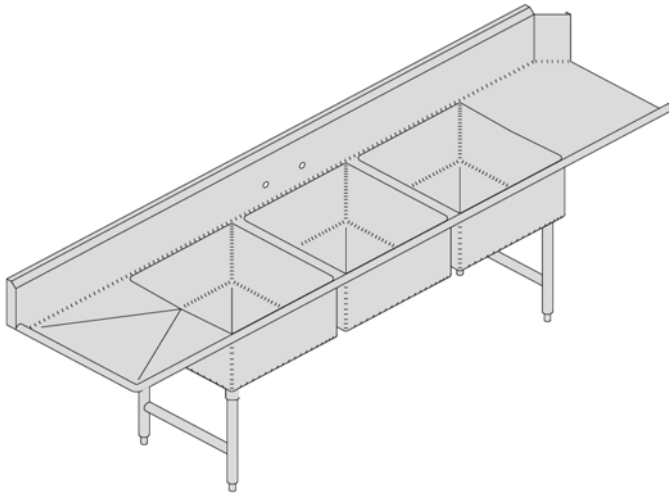
Premier Line Dishtables

3 Compartment Clean Dishtable

Item #: _____ Qty #: _____

Model #: _____

Project: _____



Features:

- Fully welded and polished tubs
- Heavy duty construction
- Includes mounting bracket for easy installation

Construction:

- All sinks are fully welded and polished to a smooth grained finish.
- Backsplash turns down for a simple, sanitary installation
- Includes s/s basket drain

Custom Sizes Available!

Material:

Work Top: 14 gauge type "304" series stainless steel

Legs: 1 5/8" Ø stainless steel with adjustable feet

Gussets: Stainless steel

Note: Model number with an * are supplied with one set of 8" on center faucet holes

MODEL NUMBER (Left side of Dish Machine)	OVERALL DIMENSIONS		DRBD SIZE	TUB SIZE (L to R)	DRBD SIZE	WT. (LBS.)	MODEL NUMBER (Right side of Dish Machine)
	A	B	C	D	E		
*CDTSP-3-17-96L	96"	30"	18"	17"	23"	150	*CDTSP-3-17-96R
*CDTSP-3-17-108L	108"	30"	24"	17"	29"	155	*CDTSP-3-17-108R
CDTSP-3-23-126L	126"	30"	24"	23"	29"	175	CDTSP-3-23-126R
CDTSP-3-23-138L	138"	30"	30"	23"	35"	185	CDTSP-3-23-138R
CUSTOM	OVERALL DIMS	DRBD	TUB	DRBD			

WT. = Crated shipping weight

Specify Make and Model of Dishmachine _____

Options:

- End Splash
- Faucet 14" spout QTY _____
- Pre-rinse faucet QTY _____
- Add-on faucet QTY _____
- Leverwaste brackets
- Leverwastes
- Leverwastes w/ overflow
- Flange feet
- Hi-Lite Leading Edges
- Rack Slides QTY _____
- S/S Scrap Basket (SBRSS)
- Apron
- Other _____

www.weststarindustries.com

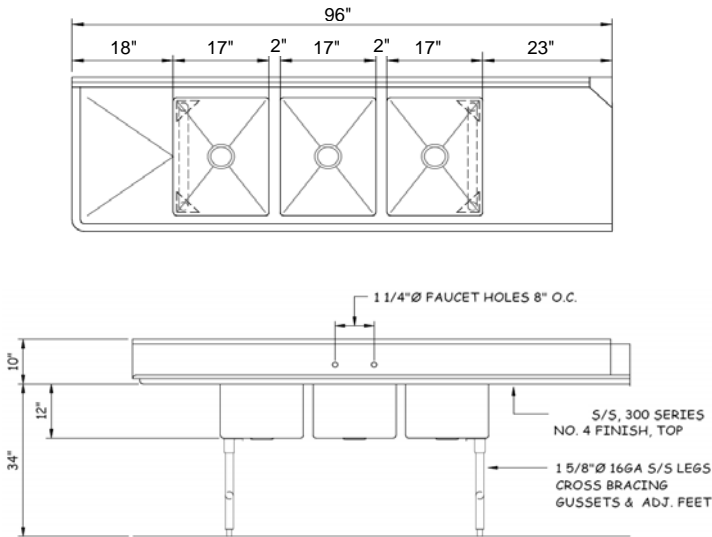
4445 E. Fremont Street / Stockton, CA 95215

Phone: 800-326-2288 Fax: (209) 955-8250 CL# 422322

Email: wsi@weststarindustries.com

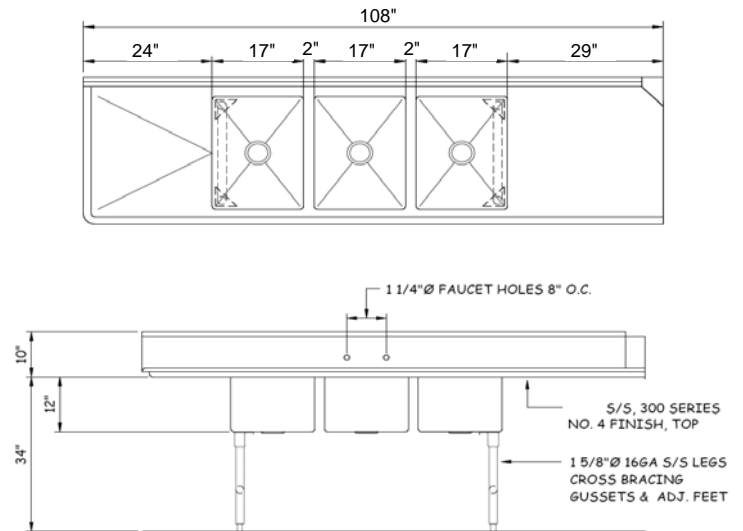
Note: Specifications are subject to change without notice.

CDTSP-3 Rev. 6/08



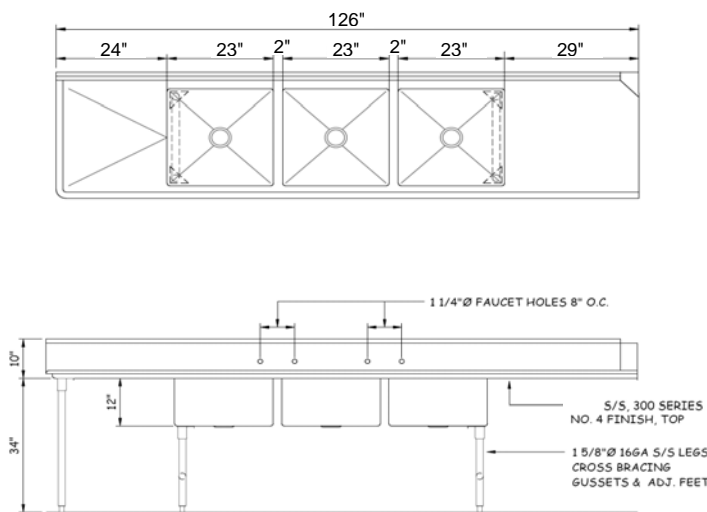
Note: One set of 8" on center faucet holes

CDTS-3-17-96L Shown

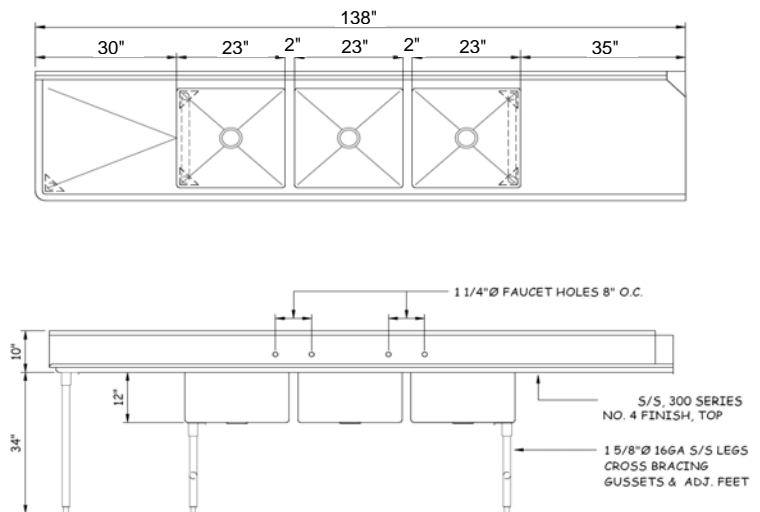


Note: One set of 8" on center faucet holes

CDTS-3-17-108L Shown

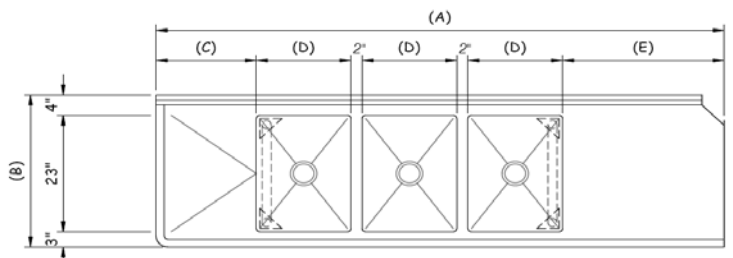
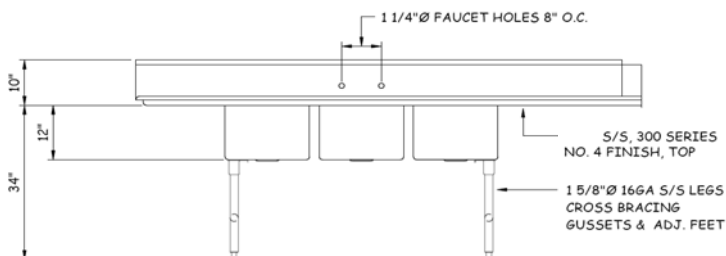


CDTS-3-23-120L Shown



CDTS-3-23-138L Shown

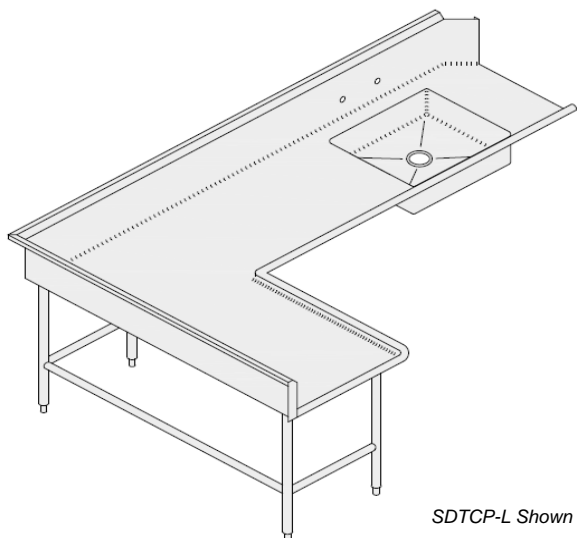
CUSTOM SIZE



Premier Line Dishtables

Corner Soiled Dishtable

Item #: _____ Qty #: _____
 Model #: _____
 Project: _____



SDTCP-L Shown



Features:

- Fully welded and polished tub
- Heavy duty construction
- Includes mounting bracket for easy installation

Construction:

- All sinks are fully welded and polished to a smooth grained finish.
- Backsplash turns down for a simple, sanitary installation
- 1 set of 8" on center faucet holes
- 20" X 20" X 6" integral sink tub
- 10" backsplash
- Includes s/s basket drain

Custom Sizes Available!

Material:

Work Top: 14 gauge type "304" series stainless steel

Legs: 1 5/8" Ø stainless steel with adjustable feet

Gussets: Stainless steel

MODEL NUMBER (Left side of Dish Machine)	OVERALL DIMENSIONS					MODEL NUMBER (Right side of Dish Machine)	WT. (LBS.)
	A	B	C	D	E		
SDTCP-72L	72"	30"	60"	30"	24"	SDTCP-72R	180
SDTCP-84L	84"	30"	60"	30"	24"	SDTCP-84R	190
SDTCP-96L	96"	30"	60"	30"	24"	SDTCP-96R	200
SDTCP-108L	108"	30"	60"	30"	24"	SDTCP-108R	210
CUSTOM	A	B	C	D	E	CUSTOM	

WT. = Crated shipping weight

Options:

- Right Splash
- Left Splash
- Pre-rinse faucet
- Add-on faucet
- S/S scrap basket (SBRSS)
- Rack Slides
- ST-30 Quick Drain
- Disposer Control Panel Brkt
- Disposer Switch Brkt
- Disposer Cone Weldment
- Disposer Flange Weldment
- Flange Feet
- Hi-lited Leading Edges
- Other _____

www.weststarindustries.com

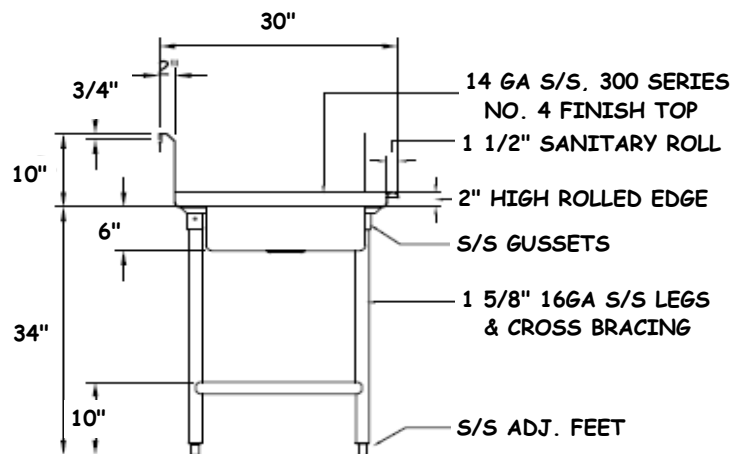
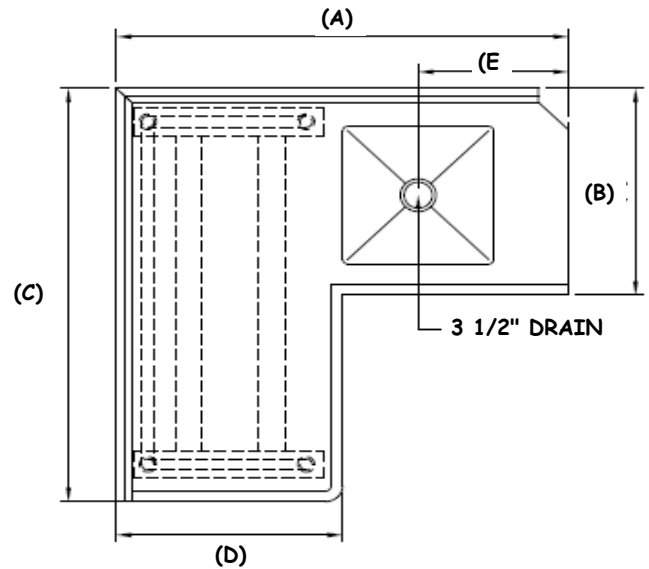
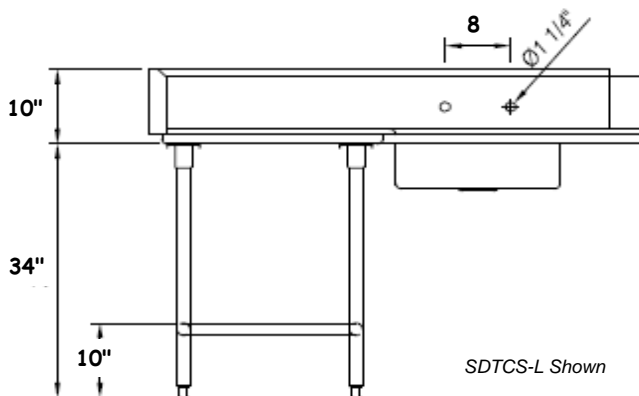
4445 E. Fremont Street / Stockton, CA 95215

Phone: 800-326-2288 Fax: (209) 955-8250 CL# 422322

Email: wsi@weststarindustries.com

Note: Specifications are subject to change without notice.

SDTCP Rev. 6/08



MODEL NUMBER (Left side of Dish Machine)	OVERALL DIMENSIONS					MODEL NUMBER (Right side of Dish Machine)	WT. (LBS.)
	A	B	C	D	E		
SDTCP-72L	72"	30"	60"	30"	24"	SDTCP-36R	180
SDTCP-84L	84"	30"	60"	30"	24"	SDTCP-48R	190
SDTCP-96L	96"	30"	60"	30"	24"	SDTCP-60R	200
SDTCP-108L	108"	30"	60"	30"	24"	SDTCP-72R	210
CUSTOM	A	B	C	D	E	CUSTOM	

WT. = Crated shipping weight

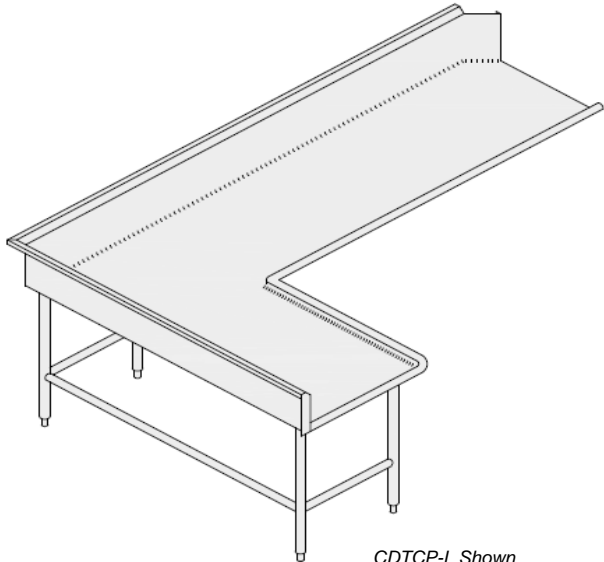
Custom Sizes Available!

www.weststarindustries.com
4445 E. Fremont Street / Stockton, CA 95215
Phone: 800-326-2288 Fax: (209) 955-8250 CL# 422322
Email: wsj@weststarindustries.com
Note: Specifications are subject to change without notice.

Item #: _____ Qty #: _____

Model #: _____

Project: _____



CDTCP-L Shown

Features:

- Fully welded and polished
- Heavy duty construction
- Includes mounting bracket for easy installation

Construction:

- Backsplash turns down for a simple, sanitary installation
- 10" backsplash

Material:

Work Top: 14 gauge type "304" series stainless steel

Legs: 1 5/8" Ø stainless steel with adjustable feet

Gussets: Stainless steel

MODEL NUMBER (Left side of Dish Machine)	OVERALL DIMENSIONS				MODEL NUMBER (Right side of Dish Machine)	WT. (LBS.)
	A	B	C	D		
CDTCP-72L	72"	30"	60"	30"	CDTCP-72R	140
CDTCP-84L	84"	30"	60"	30"	CDTCP-84R	150
CDTCP-96L	96"	30"	60"	30"	CDTCP-96R	160
CDTCP-108L	108"	30"	60"	30"	CDTCP-108R	170
CUSTOM	A	B	C	D	CUSTOM	

WT. = Crated shipping weight

Custom Sizes Available!

Options:

- Right Splash
- Left Splash
- Flange Feet
- Hi-lited Leading Edges
- S/S Undershef _____ (Inches)
- Other _____

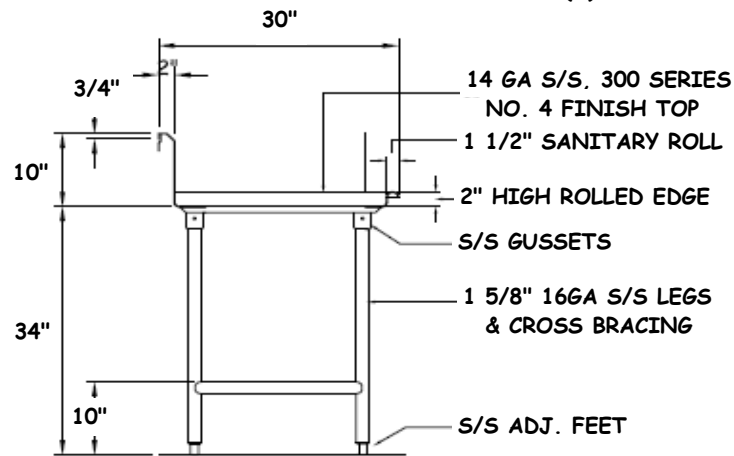
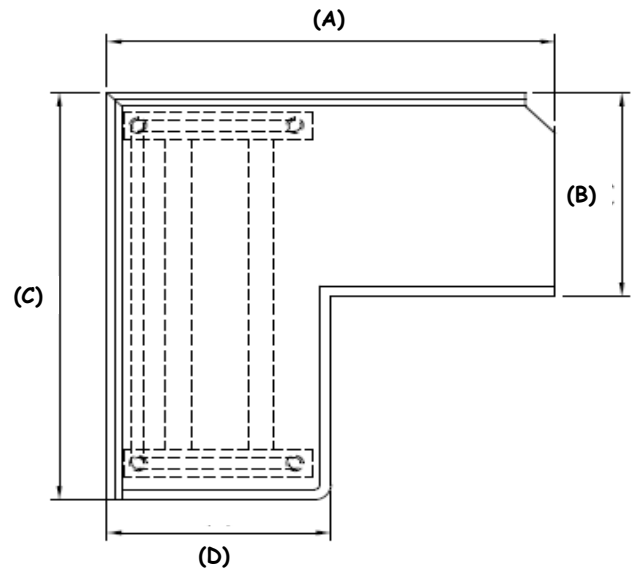
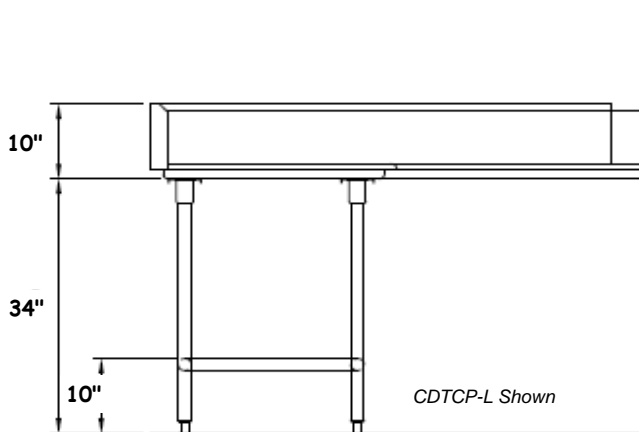
www.weststarindustries.com

4445 E. Fremont Street / Stockton, CA 95215

Phone: 800-326-2288 Fax: (209) 955-8250 CL# 422322

Email: wsi@weststarindustries.com

Note: Specifications are subject to change without notice.



MODEL NUMBER (Left side of Dish Machine)	OVERALL DIMENSIONS				MODEL NUMBER (Right side of Dish Machine)	WT. (LBS.)
	A	B	C	D		
CDTCP-72L	72"	30"	60"	30"	CDTCP-72R	140
CDTCP-84L	84"	30"	60"	30"	CDTCP-84R	150
CDTCP-96L	96"	30"	60"	30"	CDTCP-96R	160
CDTCP-108L	108"	30"	60"	30"	CDTCP-108R	170
CUSTOM	A	B	C	D	CUSTOM	

WT. = Crated shipping weight

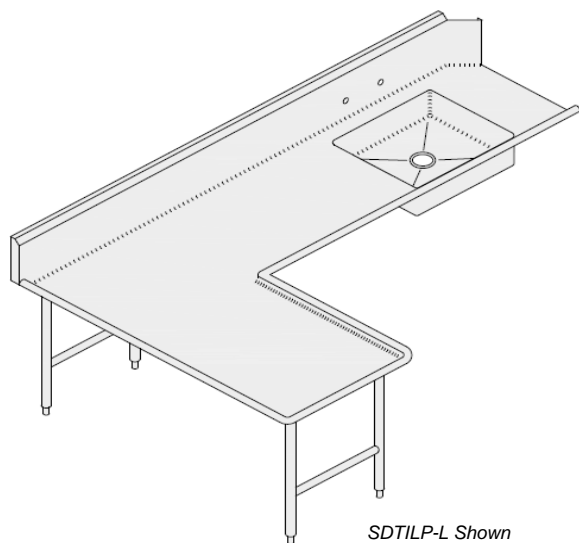
Custom Sizes Available!

www.weststarindustries.com
4445 E. Fremont Street / Stockton, CA 95215
Phone: 800-326-2288 Fax: (209) 955-8250 CL# 422322
Email: wsj@weststarindustries.com
Note: Specifications are subject to change without notice.

Premier Line Dishtables

Island L-Shape Soiled Dishtables

Item #: _____ Qty #: _____
 Model #: _____
 Project: _____



SDTILP-L Shown

6" OPTIONAL LANDING EDGE



Material:

Work Top: 14 gauge type "304" series stainless steel

Legs: 1 5/8" Ø stainless steel with adjustable feet

Gussets: Stainless steel

MODEL NUMBER (Left side of Dish Machine)	OVERALL DIMENSIONS					MODEL NUMBER (Right side of Dish Machine)	WT. (LBS.)
	A	B	C	D	E		
SDTILP-72L	72"	30"	60"	30"	24"	SDTILP-72R	170
SDTILP-84L	84"	30"	60"	30"	24"	SDTILP-84R	180
SDTILP-96L	96"	30"	60"	30"	24"	SDTILP-96R	190
SDTILP-108L	108"	30"	60"	30"	24"	SDTILP-108R	210
CUSTOM	A	B	C	D	E	CUSTOM	

WT. = Crated shipping weight



Features:

- Fully welded and polished tub
- Heavy duty construction
- Includes mounting bracket for easy installation

Construction:

- All sinks are fully welded and polished to a smooth grained finish.
- Backsplash turns down for a simple, sanitary installation
- 1 set of 8" on center faucet holes
- 20" X 20" X 6" integral sink tub
- 10" backsplash one side, 2" roll on one side
- Includes s/s basket drain

Custom Sizes Available!

Options:

- Right Splash
- Left Splash
- Pre-rinse faucet
- Add-on faucet
- S/S scrap basket (SBRSS)
- Rack Slides
- ST-30 Quick Drain
- Disposer Control Panel Brkt
- Disposer Switch Brkt
- Disposer Cone Weldment
- Disposer Flange Weldment
- Flange Feet
- Hi-lited Leading Edges
- Landing Ledge
- Other _____

www.weststarindustries.com

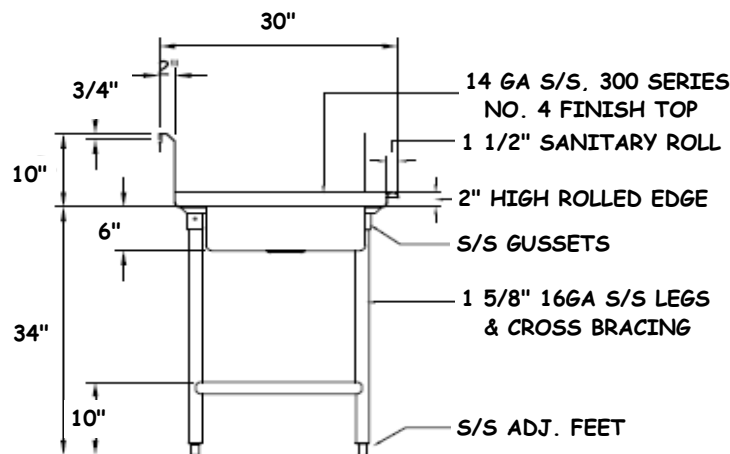
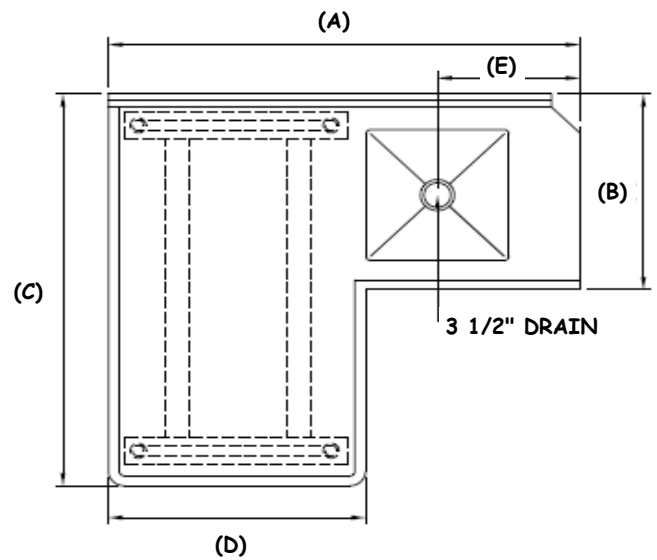
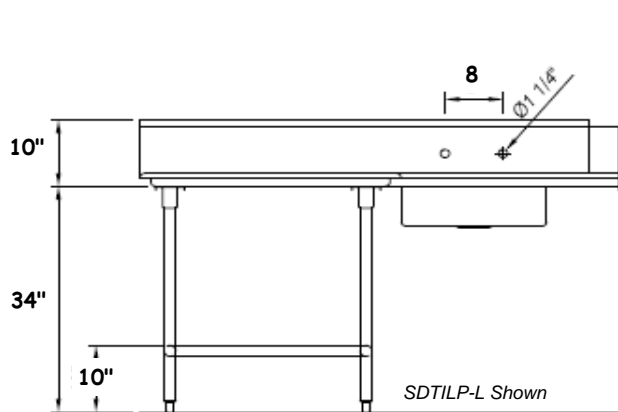
4445 E. Fremont Street / Stockton, CA 95215

Phone: 800-326-2288 Fax: (209) 955-8250 CL# 422322

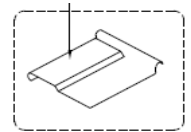
Email: wsi@weststarindustries.com

Note: Specifications are subject to change without notice.

SDTILP Rev. 6/08



6" OPTIONAL LANDING LEDGE



MODEL NUMBER (Left side of Dish Machine)	OVERALL DIMENSIONS					MODEL NUMBER (Right side of Dish Machine)	WT. (LBS.)
	A	B	C	D	E		
SDTILP-72L	72"	30"	60"	30"	24"	SDTILP-72R	170
SDTILP-84L	84"	30"	60"	30"	24"	SDTILP-84R	180
SDTILP-96L	96"	30"	60"	30"	24"	SDTILP-96R	190
SDTILP-108L	108"	30"	60"	30"	24"	SDTILP-108R	210
CUSTOM	A	B	C	D	E	CUSTOM	

WT. = Crated shipping weight

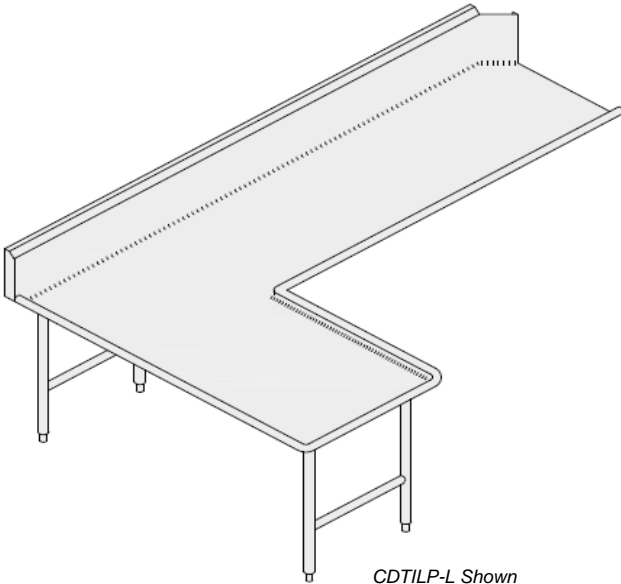
Custom Sizes Available!

www.weststarindustries.com
4445 E. Fremont Street / Stockton, CA 95215
Phone: 800-326-2288 Fax: (209) 955-8250 CL# 422322
Email: wsj@weststarindustries.com
Note: Specifications are subject to change without notice.

Item #: _____ Qty #: _____

Model #: _____

Project: _____



CDTILP-L Shown

Features:

- Fully welded and polished
- Heavy duty construction
- Includes mounting bracket for easy installation

Construction:

- Backsplash turns down for a simple, sanitary installation
- 10" backsplash one side, 2" roll one side
- S/S legs with cross bracing

Custom Sizes Available!

Options:

- Right Splash
- Left Splash
- Flange Feet
- Hi-lited Leading Edges
- S/S Undershef _____ (Inches)
- Other _____

Material:

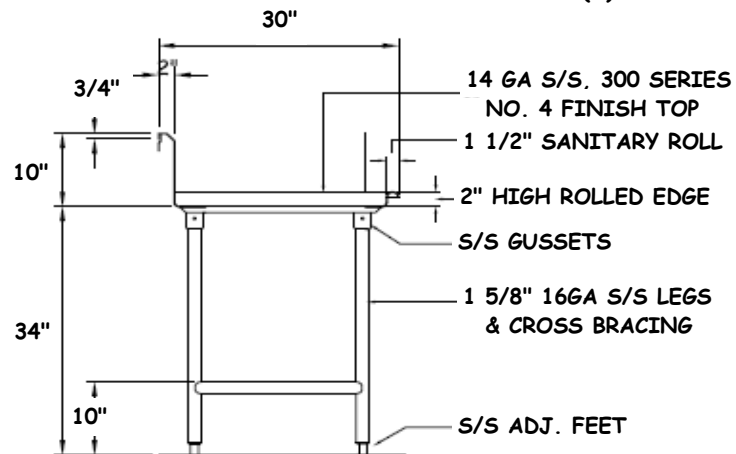
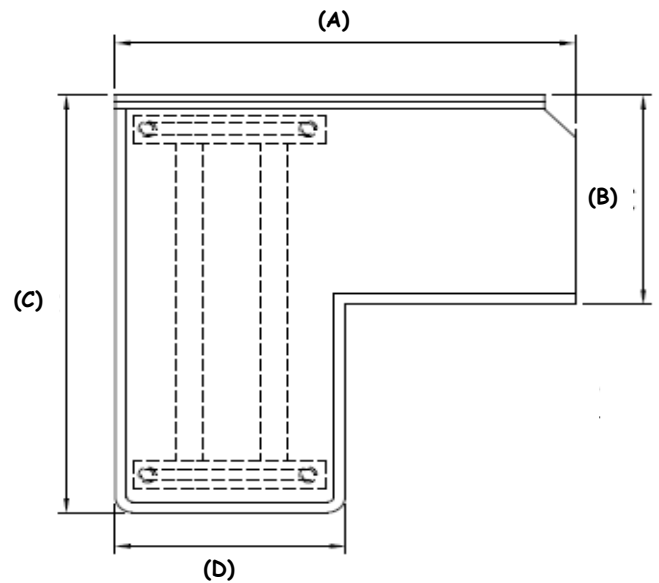
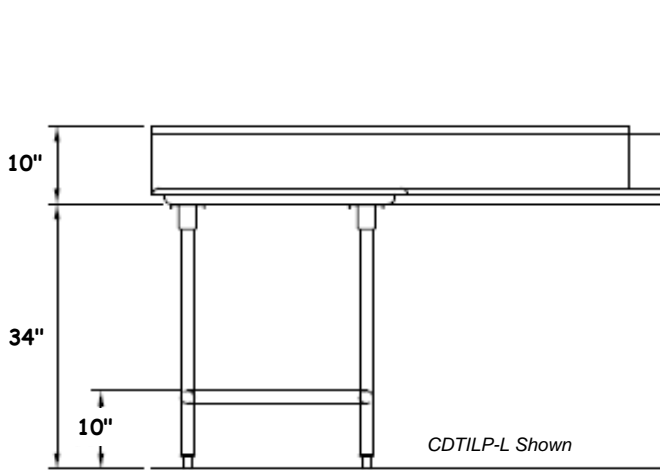
Work Top: 14 gauge type "304" series stainless steel

Legs: 1 5/8" Ø stainless steel with adjustable feet

Gussets: Stainless steel

MODEL NUMBER (Left side of Dish Machine)	OVERALL DIMENSIONS				MODEL NUMBER (Right side of Dish Machine)	WT. (LBS.)
	A	B	C	D		
CDTILP-72L	72"	30"	60"	30"	CDTILP-72R	130
CDTILP-84L	84"	30"	60"	30"	CDTILP-84R	140
CDTILP-96L	96"	30"	60"	30"	CDTILP-96R	150
CDTILP-108L	108"	30"	60"	30"	CDTILP-108R	160
CUSTOM	A	B	C	D	CUSTOM	

WT. = Crated shipping weight

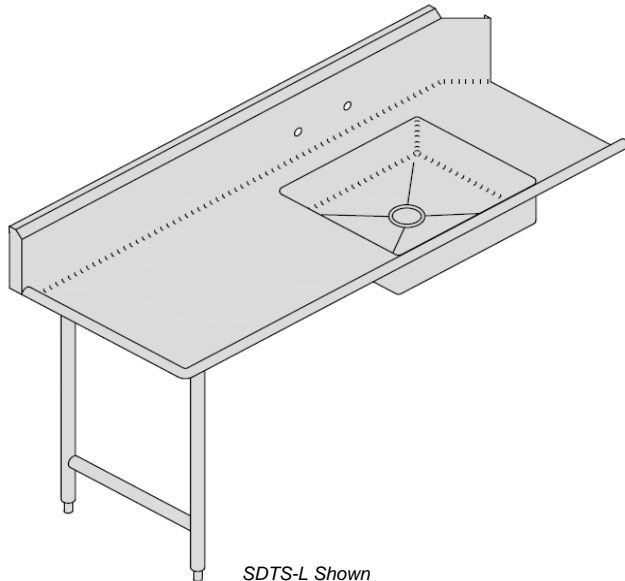


MODEL NUMBER (Left side of Dish Machine)	OVERALL DIMENSIONS				MODEL NUMBER (Right side of Dish Machine)	WT. (LBS.)
	A	B	C	D		
CDTILP-72L	72"	30"	60"	30"	CDTILP-72R	130
CDTILP-84L	84"	30"	60"	30"	CDTILP-84R	140
CDTILP-96L	96"	30"	60"	30"	CDTILP-96R	150
CDTILP-108L	108"	30"	60"	30"	CDTILP-108R	160
CUSTOM	A	B	C	D	CUSTOM	

WT. = Crated shipping weight

Custom Sizes Available!

Item #: _____ Qty #: _____
 Model #: _____
 Project: _____



SDTS-L Shown

Features:

- Fully welded and polished tub
- Heavy duty construction
- Includes mounting bracket for easy installation

Construction:

- All sinks are fully welded and polished to a smooth grained finish.
- Backsplash turns down for a simple, sanitary installation
- 1 set of 8" on center faucet holes
- 20" X 20" X 6" intregal sink tub
- 10" backsplash
- Includes s/s basket drain

Custom Sizes Available!

Material:

Work Top: 16 gauge type "304" series stainless steel

Legs: 1 5/8" Ø stainless steel with adjustable feet

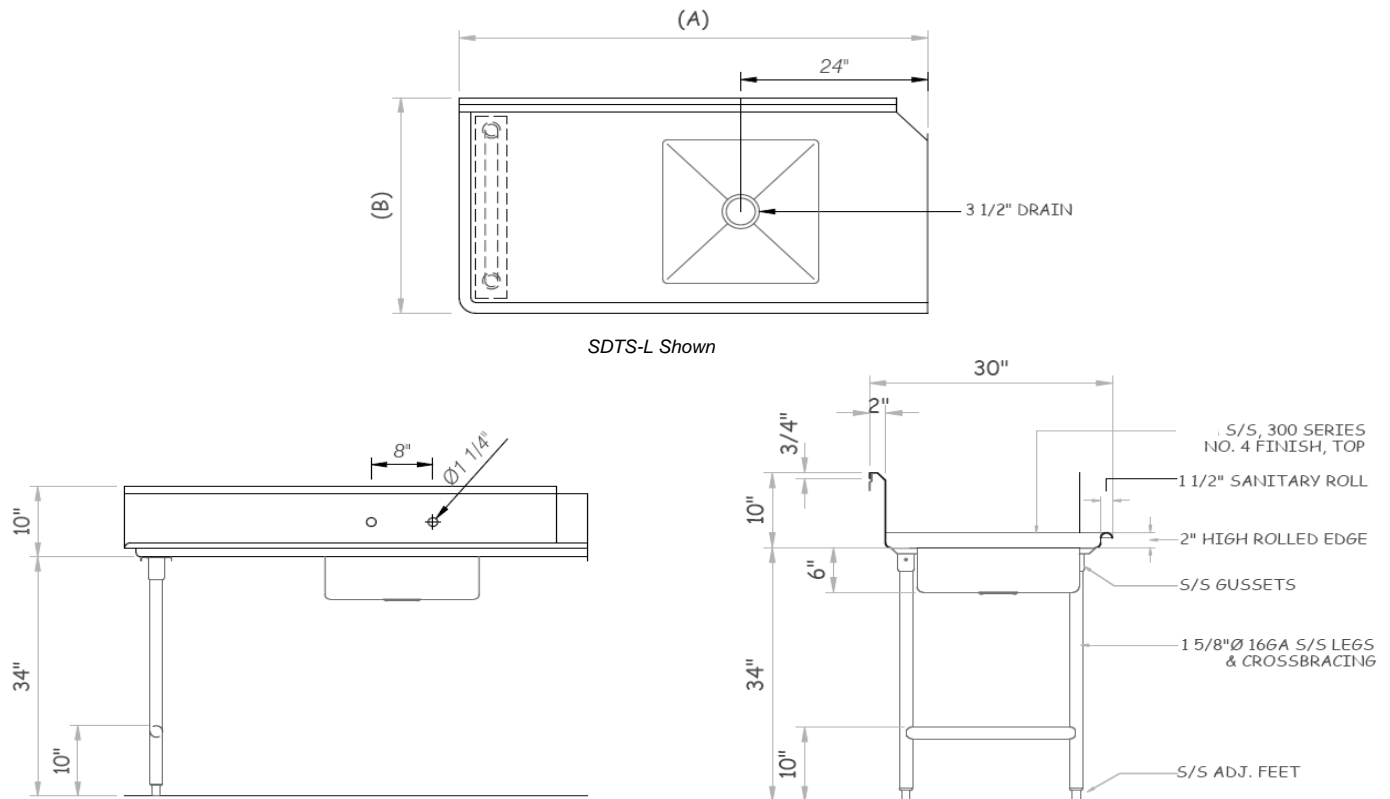
Gussets: Stainless steel

Options:

- Right Splash
- Left Splash
- Pre-rinse faucet
- Add-on faucet
- S/S scrap basket (SBRSS)
- Rack Slides
- ST-30 Quick Drain
- Disposer Control Panel Brkt
- Disposer Switch Brkt
- Disposer Cone Weldment
- Disposer Flange Weldment
- Flange Feet
- Hi-lited Leading Edges
- Other _____

MODEL NUMBER (Left side of Dish Machine)	OVERALL DIMENSIONS		MODEL NUMBER (Right side of Dish Machine)	WT. (LBS.)
	A	B		
SDTS-36L	36"	30"	SDTS-36R	80
SDTS-48L	48"	30"	SDTS-48R	90
SDTS-60L	60"	30"	SDTS-60R	100
SDTS-72L	72"	30"	SDTS-72R	110
SDTS-84L	84"	30"	SDTS-84R	130
SDTS-96L	96"	30"	SDTS-96R	140
SDTS-108L	108"	30"	SDTS-108R	150
CUSTOM	OVERALL DIMS.		CUSTOM	

WT. = Crated shipping weight



Custom Sizes Available!

MODEL NUMBER (Left side of Dish Machine)	OVERALL DIMENSIONS		MODEL NUMBER (Right side of Dish Machine)	WT. (LBS.)
	A	B		
SDTS-36L	36"	30"	SDTS-36R	80
SDTS-48L	48"	30"	SDTS-48R	90
SDTS-60L	60"	30"	SDTS-60R	100
SDTS-72L	72"	30"	SDTS-72R	110
SDTS-84L	84"	30"	SDTS-84R	130
SDTS-96L	96"	30"	SDTS-96R	140
SDTS-108L	108"	30"	SDTS-108R	150
CUSTOM	OVERALL DIMS.		CUSTOM	

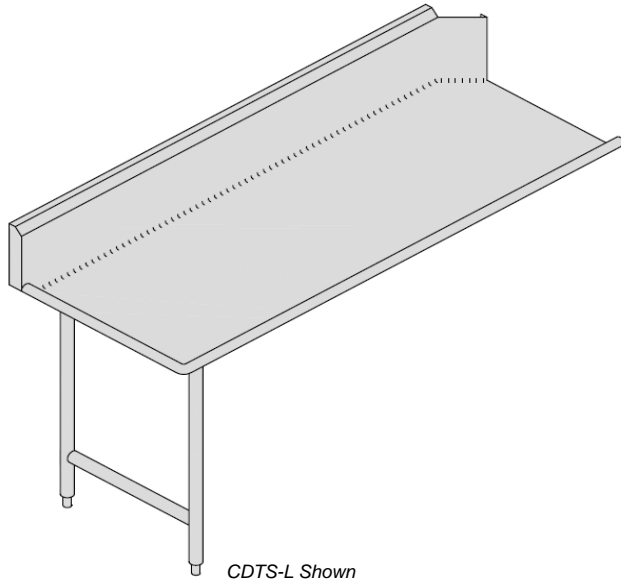


WT. = Crated shipping weight

Standard Line Dishtables

Straight Clean Dishtables

Item #: _____ Qty #: _____
 Model #: _____
 Project: _____



Features:

- Fully welded and polished
- Heavy duty construction
- Includes mounting bracket for easy installation

Construction:

- Backsplash turns down for a simple, sanitary installation
- 10" backsplash

Material:

Work Top: 16 gauge type "304" series stainless steel

Legs: 1 5/8" Ø stainless steel with adjustable feet

Gussets: Stainless steel

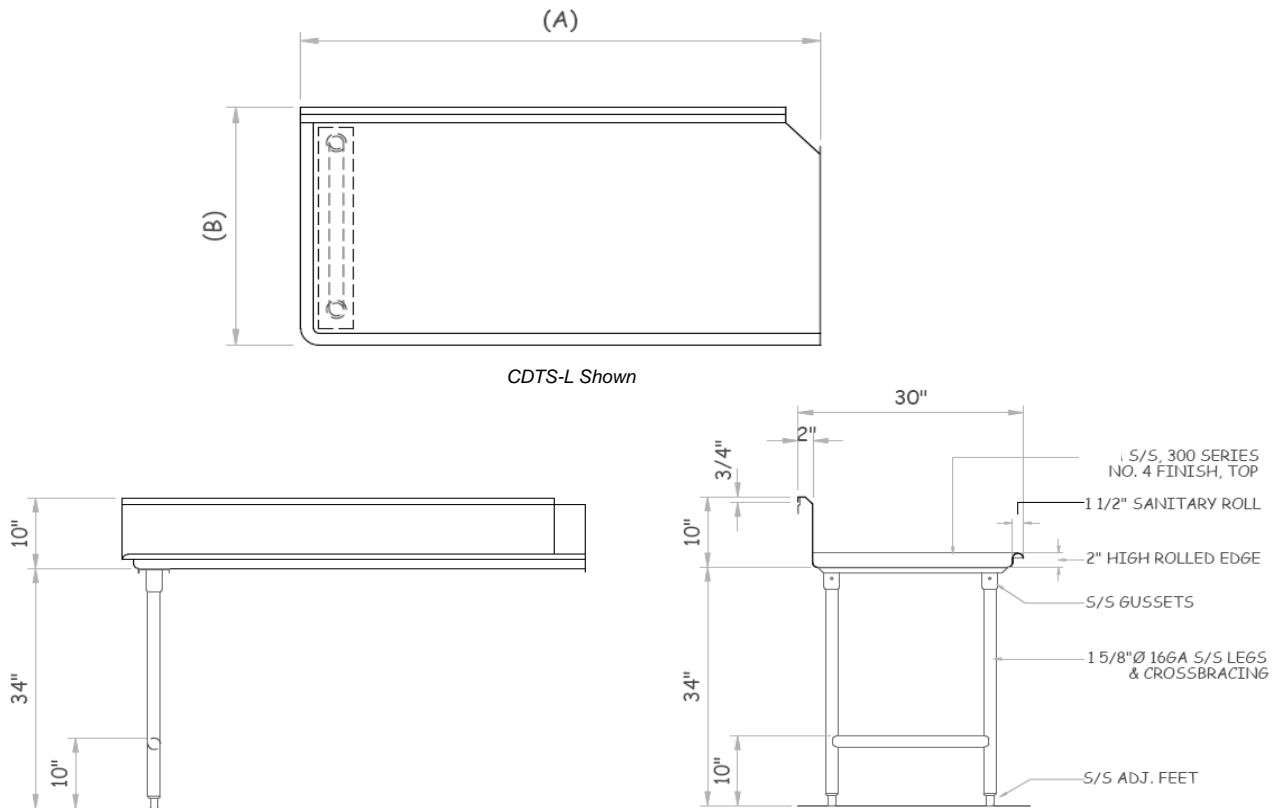
Custom Sizes Available!

Options:

- Right Splash
- Left Splash
- Flange Feet
- Hi-lited Leading Edges
- S/S Undershelf _____ (Inches)
- Other _____

MODEL NUMBER (Left side of Dish Machine)	OVERALL DIMENSIONS		MODEL NUMBER (Right side of Dish Machine)	WT. (LBS.)
	A	B		
CDTS-36L	36"	30"	CDTS-36R	40
CDTS-48L	48"	30"	CDTS-48R	50
CDTS-60L	60"	30"	CDTS-60R	60
CDTS-72L	72"	30"	CDTS-72R	80
CDTS-84L	84"	30"	CDTS-84R	100
CDTS-96L	96"	30"	CDTS-96R	110
CDTS-108L	108"	30"	CDTS-108R	120
CUSTOM	OVERALL DIMS.		CUSTOM	

WT. = Crated shipping weight



Custom Sizes Available!

MODEL NUMBER (Left side of Dish Machine)	OVERALL DIMENSIONS		MODEL NUMBER (Right side of Dish Machine)	WT. (LBS.)
	A	B		
CDTS-36L	36"	30"	CDTS-36R	40
CDTS-48L	48"	30"	CDTS-48R	50
CDTS-60L	60"	30"	CDTS-60R	60
CDTS-72L	72"	30"	CDTS-72R	80
CDTS-84L	84"	30"	CDTS-84R	100
CDTS-96L	96"	30"	CDTS-96R	110
CDTS-108L	108"	30"	CDTS-108R	120
CUSTOM	OVERALL DIMS.		CUSTOM	



WT. = Crated shipping weight

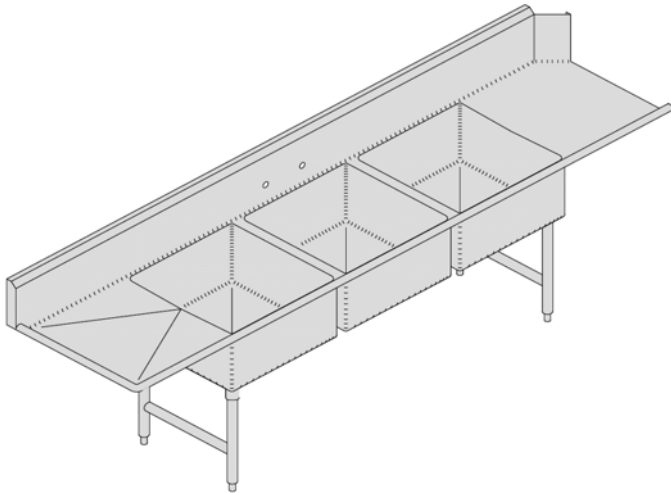
Standard Line Dishtables

3 Compartment Clean Dishtable

Item #: _____ Qty #: _____

Model #: _____

Project: _____



Features:

- Fully welded and polished tubs
- Heavy duty construction
- Includes mounting bracket for easy installation

Construction:

- All sinks are fully welded and polished to a smooth grained finish.
- Backsplash turns down for a simple, sanitary installation
- Includes s/s basket drain

Custom Sizes Available!

Material:

Work Top: 16 gauge type "304" series stainless steel

Legs: 1 5/8" Ø stainless steel with adjustable feet

Gussets: Stainless steel

Note: Model number with an * are supplied with one set of 8" on center faucet holes

MODEL NUMBER (Left side of Dish Machine)	OVERALL DIMENSIONS		DRBD SIZE	TUB SIZE (L to R)	DRBD SIZE	WT. (LBS.)	MODEL NUMBER (Right side of Dish Machine)
	A	B	C	D	E		
*CDTS-3-17-96L	96"	30"	18"	17"	23"	150	*CDTS-3-17-96R
*CDTS-3-17-108L	108"	30"	24"	17"	29"	155	*CDTS-3-17-108R
CDTS-3-23-126L	126"	30"	24"	23"	29"	175	CDTS-3-23-126R
CDTS-3-23-138L	138"	30"	30"	23"	35"	185	CDTS-3-23-138R
CUSTOM	OVERALL DIMS	DRBD	TUB	DRBD			

WT. = Crated shipping weight

Specify Make and Model of Dishmachine _____

Options:

- End Splash
- Faucet 14" spout QTY _____
- Pre-rinse faucet QTY _____
- Add-on faucet QTY _____
- Leverwaste brackets
- Leverwastes
- Leverwastes w/ overflow
- Flange feet
- Hi-Lite Leading Edges
- Rack Slides QTY _____
- S/S Scrap Basket (SBRSS)
- Apron
- Other _____

www.weststarindustries.com

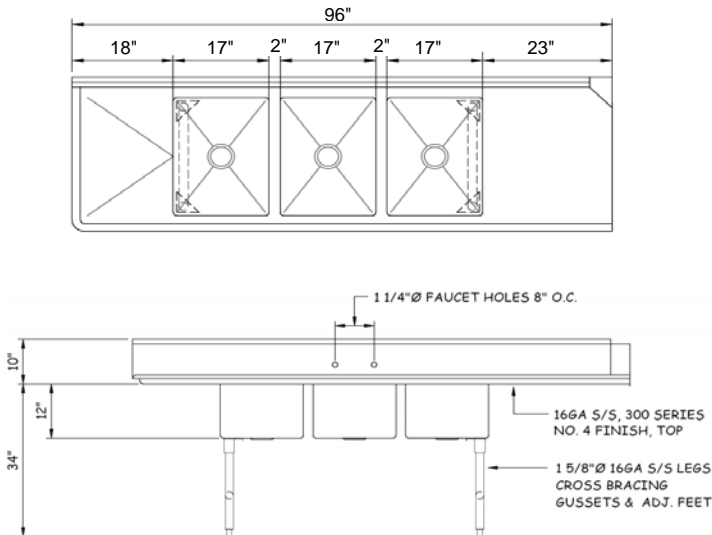
4445 E. Fremont Street / Stockton, CA 95215

Phone: 800-326-2288 Fax: (209) 955-8250 CL# 422322

Email: wsj@weststarindustries.com

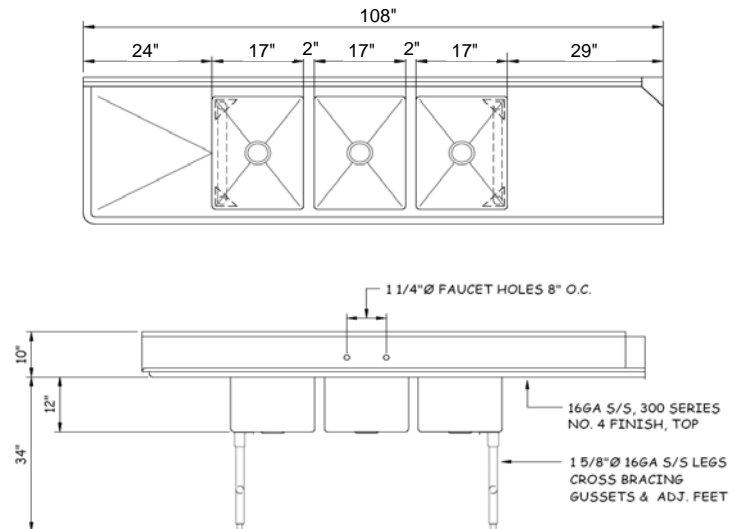
Note: Specifications are subject to change without notice.

CDTS-3 Rev. 6/08



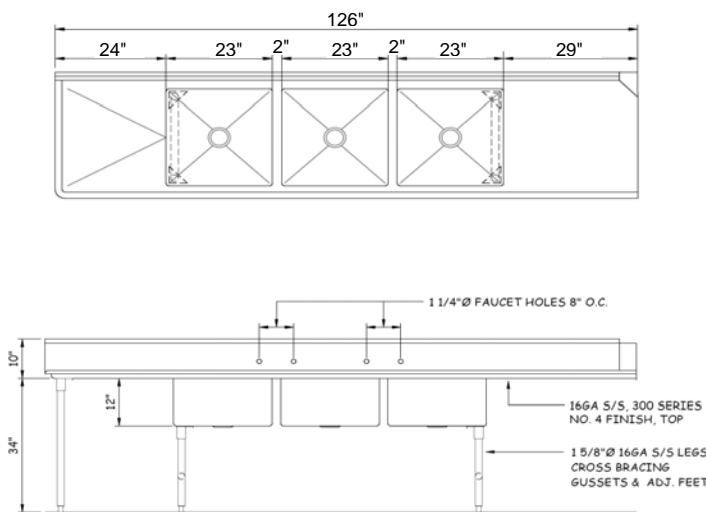
Note: One set of 8" on center faucet holes

CDTS-3-17-96L Shown

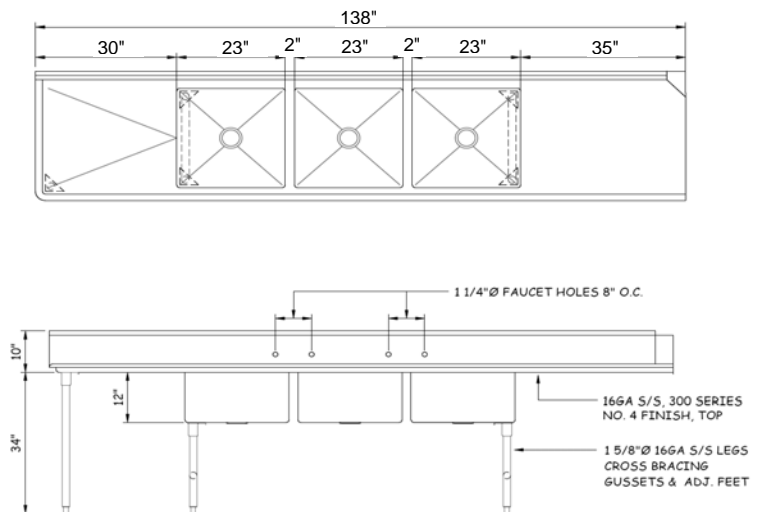


Note: One set of 8" on center faucet holes

CDTS-3-17-108L Shown

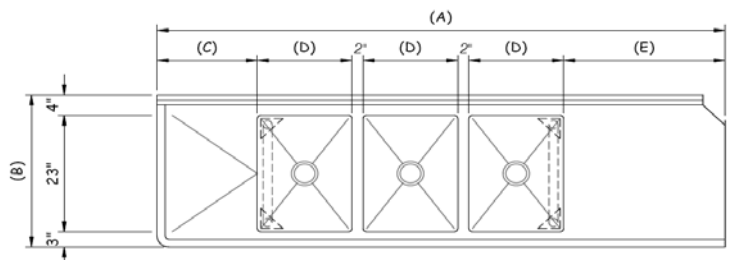
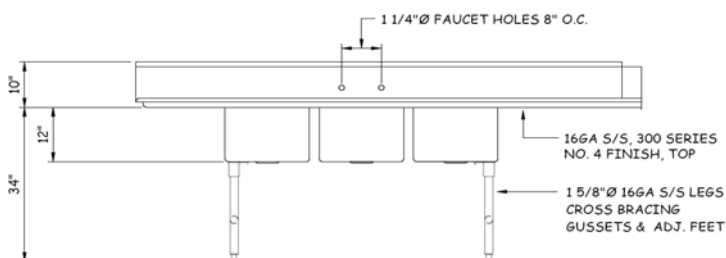


CDTS-3-23-120L Shown



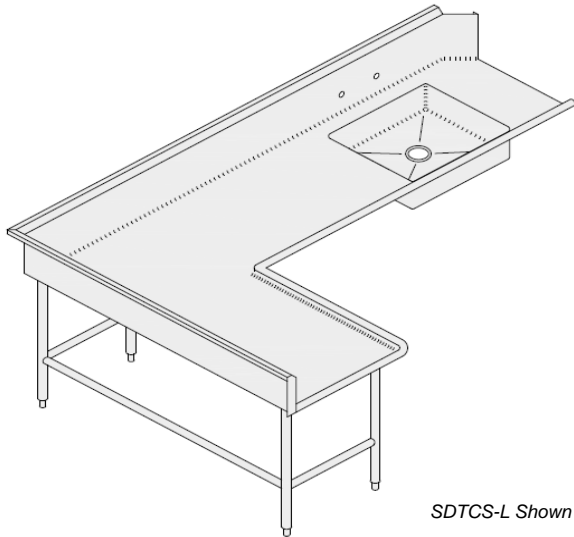
CDTS-3-23-138L Shown

CUSTOM SIZE



Standard Line Dishtables Corner Soiled Dishtables

Item #: _____ Qty #: _____
 Model #: _____
 Project: _____



SDTCS-L Shown



Features:

- Fully welded and polished tub
- Heavy duty construction
- Includes mounting bracket for easy installation

Construction:

- All sinks are fully welded and polished to a smooth grained finish.
- Backsplash turns down for a simple, sanitary installation
- 1 set of 8" on center faucet holes
- 20" X 20" X 6" integral sink tub
- 10" backsplash
- Includes s/s basket drain

Custom Sizes Available!

Material:

Work Top: 16 gauge type "304" series stainless steel

Legs: 1 5/8" Ø stainless steel with adjustable feet

Gussets: Stainless steel

MODEL NUMBER (Left side of Dish Machine)	OVERALL DIMENSIONS					MODEL NUMBER (Right side of Dish Machine)	WT. (LBS.)
	A	B	C	D	E		
SDTCS-72L	72"	30"	60"	30"	24"	SDTCS-72R	180
SDTCS-84L	84"	30"	60"	30"	24"	SDTCS-84R	190
SDTCS-96L	96"	30"	60"	30"	24"	SDTCS-96R	200
SDTCS-108L	108"	30"	60"	30"	24"	SDTCS-108R	210
CUSTOM	A	B	C	D	E	CUSTOM	

WT. = Crated shipping weight

Options:

- Right Splash
- Left Splash
- Pre-rinse faucet
- Add-on faucet
- S/S scrap basket (SBRSS)
- Rack Slides
- ST-30 Quick Drain
- Disposer Control Panel Brkt
- Disposer Switch Brkt
- Disposer Cone Weldment
- Disposer Flange Weldment
- Flange Feet
- Hi-lited Leading Edges
- Other _____

www.weststarindustries.com

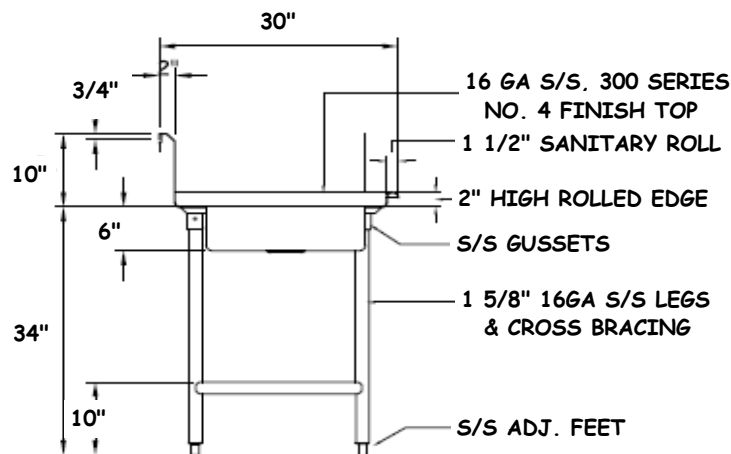
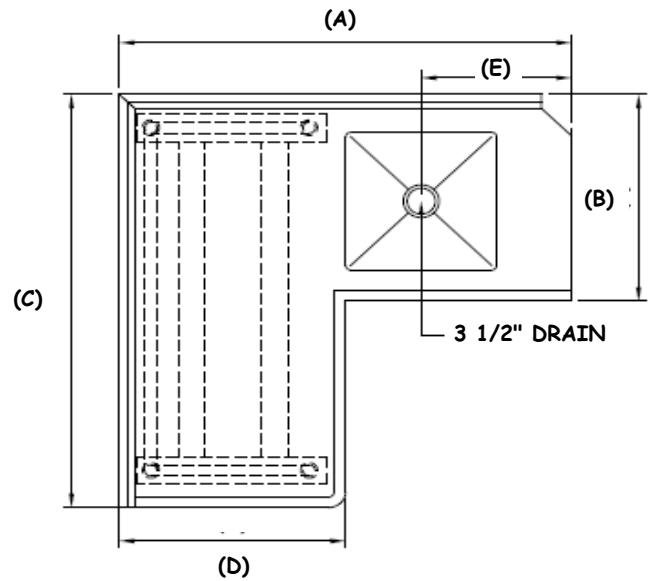
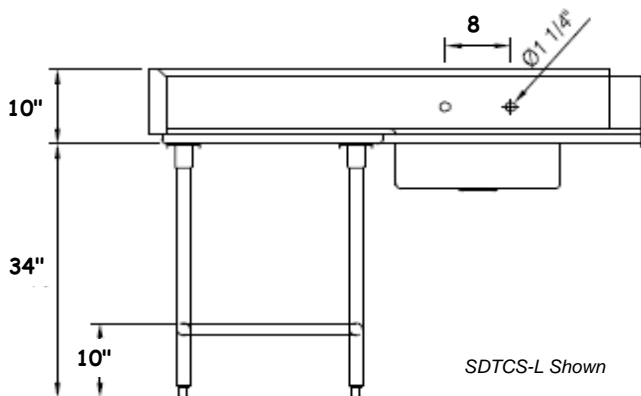
4445 E. Fremont Street / Stockton, CA 95215

Phone: 800-326-2288 Fax: (209) 955-8250 CL# 422322

Email: ws@weststarindustries.com

Note: Specifications are subject to change without notice.

SDTCS Rev. 6/08



MODEL NUMBER (Left side of Dish Machine)	OVERALL DIMENSIONS					MODEL NUMBER (Right side of Dish Machine)	WT. (LBS.)
	A	B	C	D	E		
SDTCS-72L	72"	30"	60"	30"	24"	SDTCS-36R	180
SDTCS-84L	84"	30"	60"	30"	24"	SDTCS-48R	190
SDTCS-96L	96"	30"	60"	30"	24"	SDTCS-60R	200
SDTCS-108L	108"	30"	60"	30"	24"	SDTCS-72R	210
CUSTOM	A	B	C	D	E	CUSTOM	

WT. = Crated shipping weight

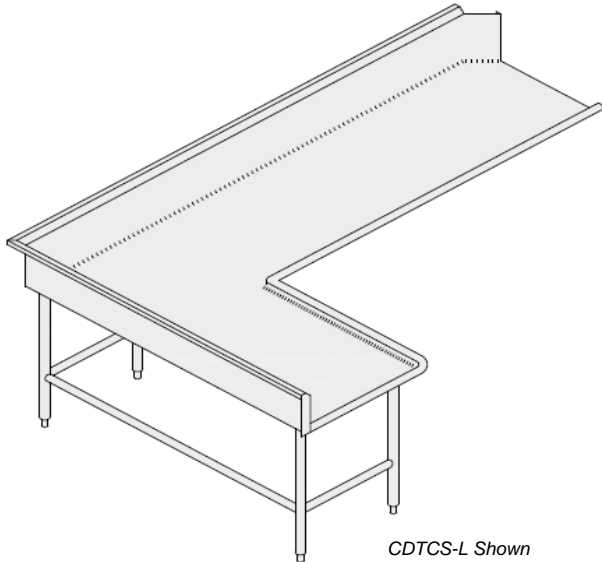
Custom Sizes Available!

www.weststarindustries.com
4445 E. Fremont Street / Stockton, CA 95215
Phone: 800-326-2288 Fax: (209) 955-8250 CL# 422322
Email: wsj@weststarindustries.com
Note: Specifications are subject to change without notice.

Item #: _____ Qty #: _____

Model #: _____

Project: _____



CDTCS-L Shown

Features:

- Fully welded and polished
- Heavy duty construction
- Includes mounting bracket for easy installation

Construction:

- Backsplash turns down for a simple, sanitary installation
- 10" backplash

Material:

Work Top: 16 gauge type "304" series stainless steel

Legs: 1 5/8" Ø stainless steel with adjustable feet

Gussets: Stainless steel

MODEL NUMBER (Left side of Dish Machine)	OVERALL DIMENSIONS				MODEL NUMBER (Right side of Dish Machine)	WT. (LBS.)
	A	B	C	D		
CDTCS-72L	72"	30"	60"	30"	CDTCS-72R	140
CDTCS-84L	84"	30"	60"	30"	CDTCS-84R	150
CDTCS-96L	96"	30"	60"	30"	CDTCS-96R	160
CDTCS-108L	108"	30"	60"	30"	CDTCS-108R	170
CUSTOM	A	B	C	D	CUSTOM	

WT. = Crated shipping weight

Custom Sizes Available!

Options:

- Right Splash
- Left Splash
- Flange Feet
- Hi-lited Leading Edges
- S/S Undershelf _____ (Inches)
- Other _____

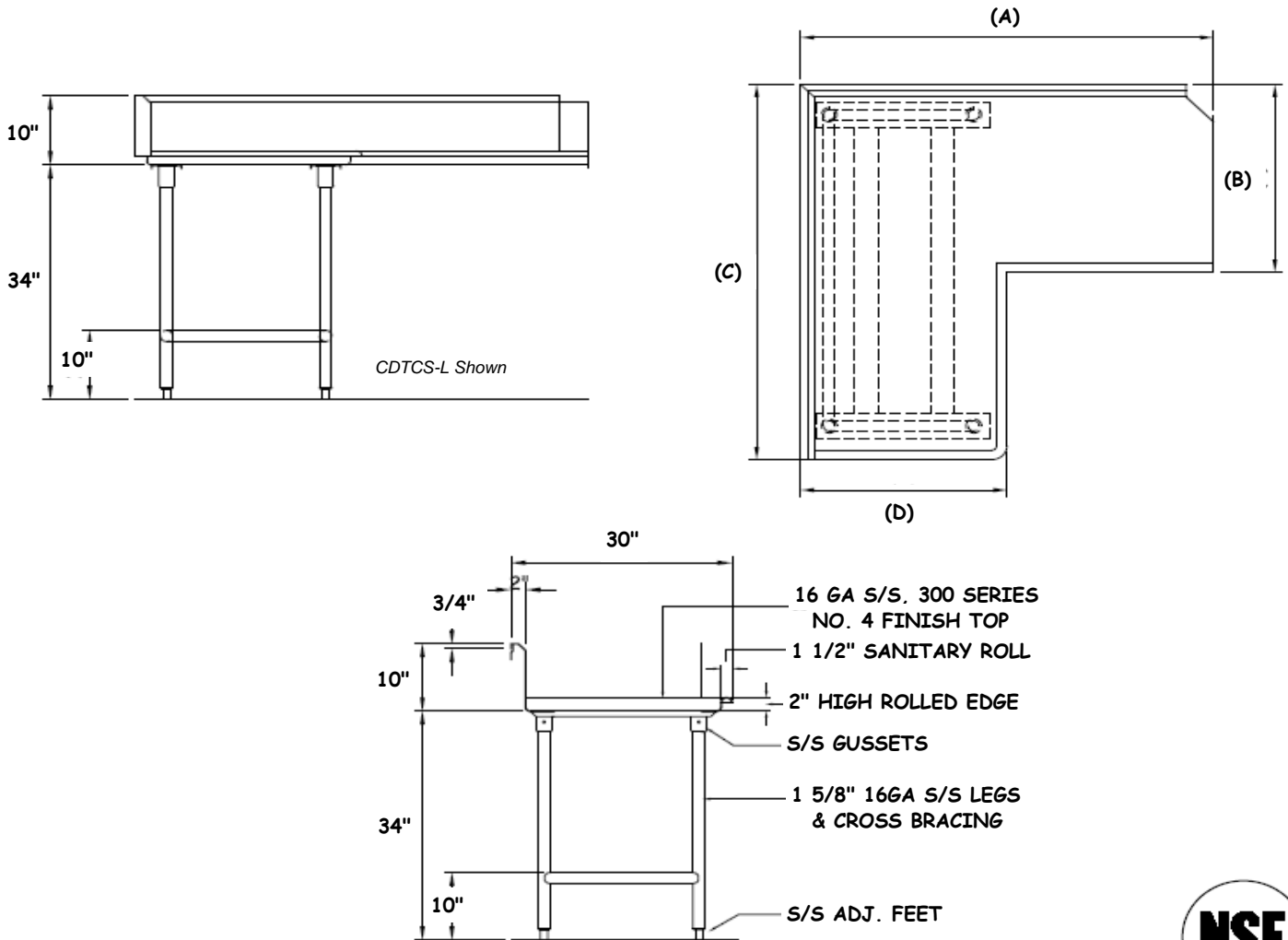
www.weststarindustries.com

4445 E. Fremont Street / Stockton, CA 95215

Phone: 800-326-2288 Fax: (209) 955-8250 CL# 422322

Email: wsi@weststarindustries.com

Note: Specifications are subject to change without notice.



MODEL NUMBER (Left side of Dish Machine)	OVERALL DIMENSIONS				MODEL NUMBER (Right side of Dish Machine)	WT. (LBS.)
	A	B	C	D		
CDTCS-72L	72"	30"	60"	30"	CDTCS-72R	140
CDTCS-84L	84"	30"	60"	30"	CDTCS-84R	150
CDTCS-96L	96"	30"	60"	30"	CDTCS-96R	160
CDTCS-108L	108"	30"	60"	30"	CDTCS-108R	170
CUSTOM	A	B	C	D	CUSTOM	

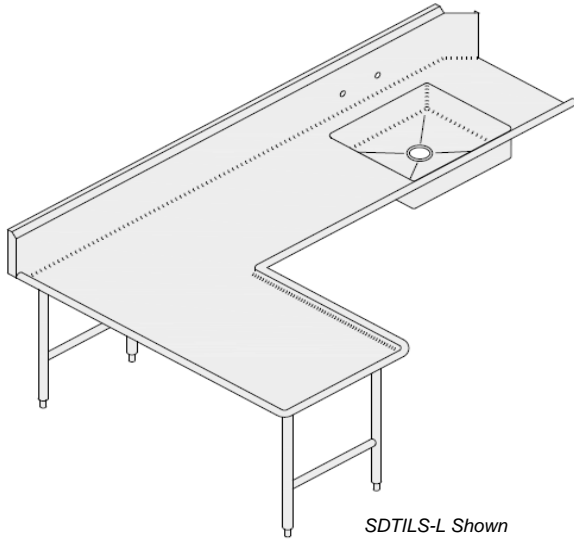
WT. = Crated shipping weight

Custom Sizes Available!

Standard Line Dishtables

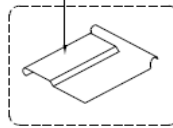
Island L-Shape Soiled Dishtables

Item #: _____ Qty #: _____
 Model #: _____
 Project: _____



SDTILS-L Shown

6" OPTIONAL LANDING EDGE



Material:

Work Top: 16 gauge type "304" series stainless steel

Legs: 1 5/8" Ø stainless steel with adjustable feet

Gussets: Stainless steel

MODEL NUMBER (Left side of Dish Machine)	OVERALL DIMENSIONS					MODEL NUMBER (Right side of Dish Machine)	WT. (LBS.)
	A	B	C	D	E		
SDTILS-72L	72"	30"	60"	30"	24"	SDTILS-72R	170
SDTILS-84L	84"	30"	60"	30"	24"	SDTILS-84R	180
SDTILS-96L	96"	30"	60"	30"	24"	SDTILS-96R	190
SDTILS-108L	108"	30"	60"	30"	24"	SDTILS-108R	210
CUSTOM	A	B	C	D	E	CUSTOM	

WT. = Crated shipping weight



Features:

- Fully welded and polished tub
- Heavy duty construction
- Includes mounting bracket for easy installation

Construction:

- All sinks are fully welded and polished to a smooth grained finish.
- Backsplash turns down for a simple, sanitary installation
- 1 set of 8" on center faucet holes
- 20" X 20" X 6" integral sink tub
- 10" backsplash one side, 2" roll on one side
- Includes s/s basket drain

Custom Sizes Available!

Options:

- Right Splash
- Left Splash
- Pre-rinse faucet
- Add-on faucet
- S/S scrap basket (SBRSS)
- Rack Slides
- ST-30 Quick Drain
- Disposer Control Panel Brkt
- Disposer Switch Brkt
- Disposer Cone Weldment
- Disposer Flange Weldment
- Flange Feet
- Hi-lited Leading Edges
- Landing Ledge
- Other _____

www.weststarindustries.com

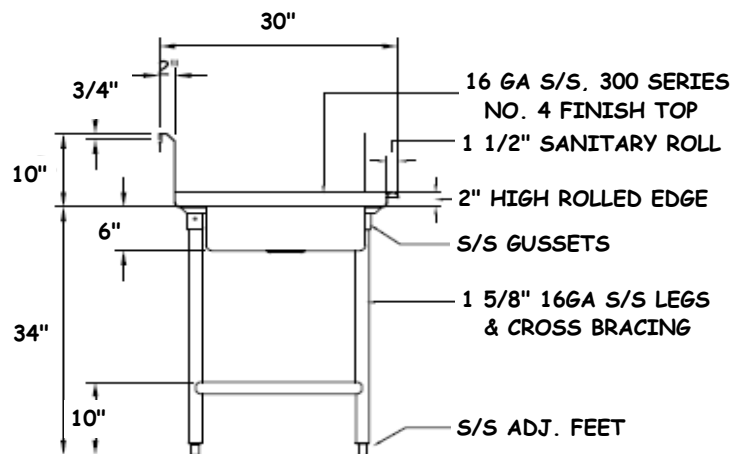
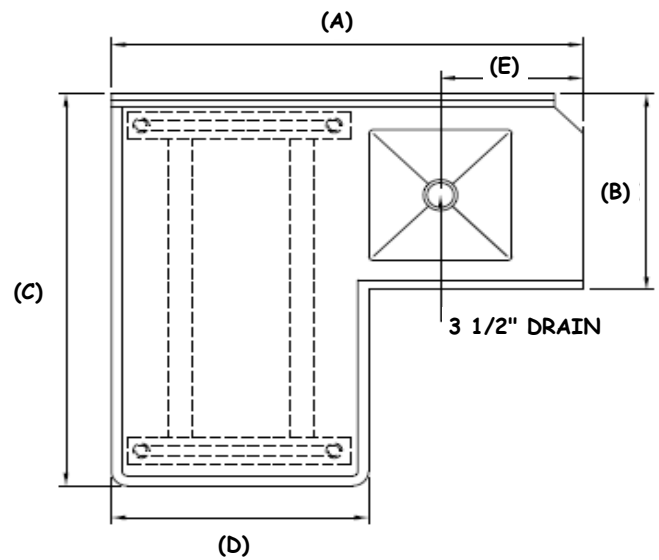
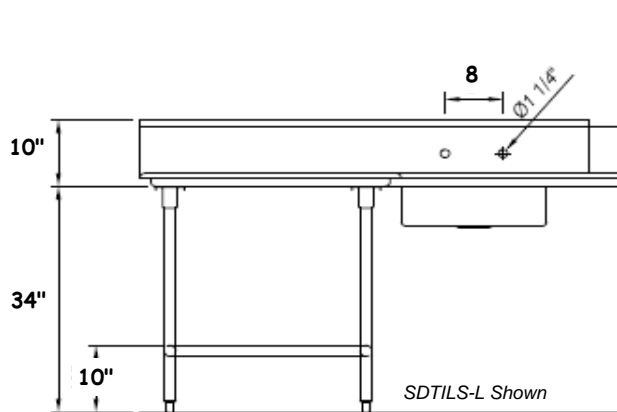
4445 E. Fremont Street / Stockton, CA 95215

Phone: 800-326-2288 Fax: (209) 955-8250 CL# 422322

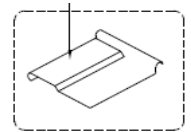
Email: wsj@weststarindustries.com

Note: Specifications are subject to change without notice.

SDTILS Rev. 6/08



6" OPTIONAL LANDING LEDGE



MODEL NUMBER (Left side of Dish Machine)	OVERALL DIMENSIONS					MODEL NUMBER (Right side of Dish Machine)	WT. (LBS.)
	A	B	C	D	E		
SDTILS-72L	72"	30"	60"	30"	24"	SDTILS-72R	170
SDTILS-84L	84"	30"	60"	30"	24"	SDTILS-84R	180
SDTILS-96L	96"	30"	60"	30"	24"	SDTILS-96R	190
SDTILS-108L	108"	30"	60"	30"	24"	SDTILS-108R	210
CUSTOM	A	B	C	D	E	CUSTOM	

WT. = Crated shipping weight

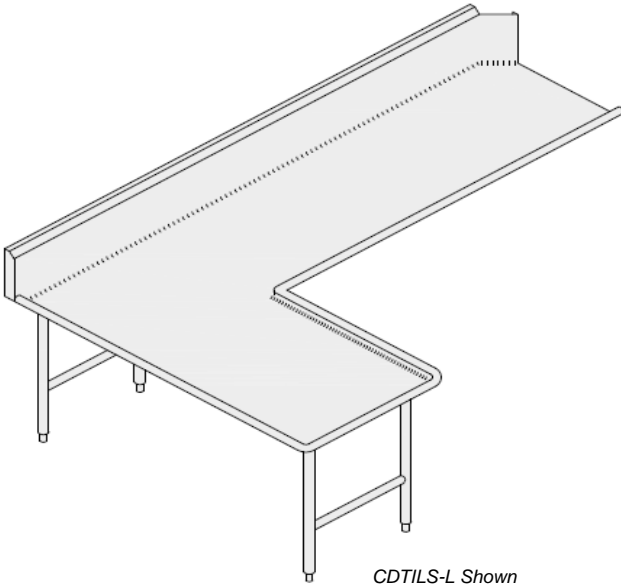
Custom Sizes Available!

www.weststarindustries.com
4445 E. Fremont Street / Stockton, CA 95215
Phone: 800-326-2288 Fax: (209) 955-8250 CL# 422322
Email: wsj@weststarindustries.com
Note: Specifications are subject to change without notice.

Item #: _____ Qty #: _____

Model #: _____

Project: _____



CDTILS-L Shown

Features:

- Fully welded and polished
- Heavy duty construction
- Includes mounting bracket for easy installation

Construction:

- Backsplash turns down for a simple, sanitary installation
- 10" backsplash one side, 2" roll one side
- S/S legs with cross bracing

Material:

Work Top: 16 gauge type "304" series stainless steel

Legs: 1 5/8" Ø stainless steel with adjustable feet

Gussets: Stainless steel

MODEL NUMBER (Left side of Dish Machine)	OVERALL DIMENSIONS				MODEL NUMBER (Right side of Dish Machine)	WT. (LBS.)
	A	B	C	D		
CDTILS-72L	72"	30"	60"	30"	CDTILS-72R	130
CDTILS-84L	84"	30"	60"	30"	CDTILS-84R	140
CDTILS-96L	96"	30"	60"	30"	CDTILS-96R	150
CDTILS-108L	108"	30"	60"	30"	CDTILS-108R	160
CUSTOM	A	B	C	D	CUSTOM	

WT. = Crated shipping weight

Custom Sizes Available!

Options:

- Right Splash
- Left Splash
- Flange Feet
- Hi-lited Leading Edges
- S/S Undershef _____ (Inches)
- Other _____

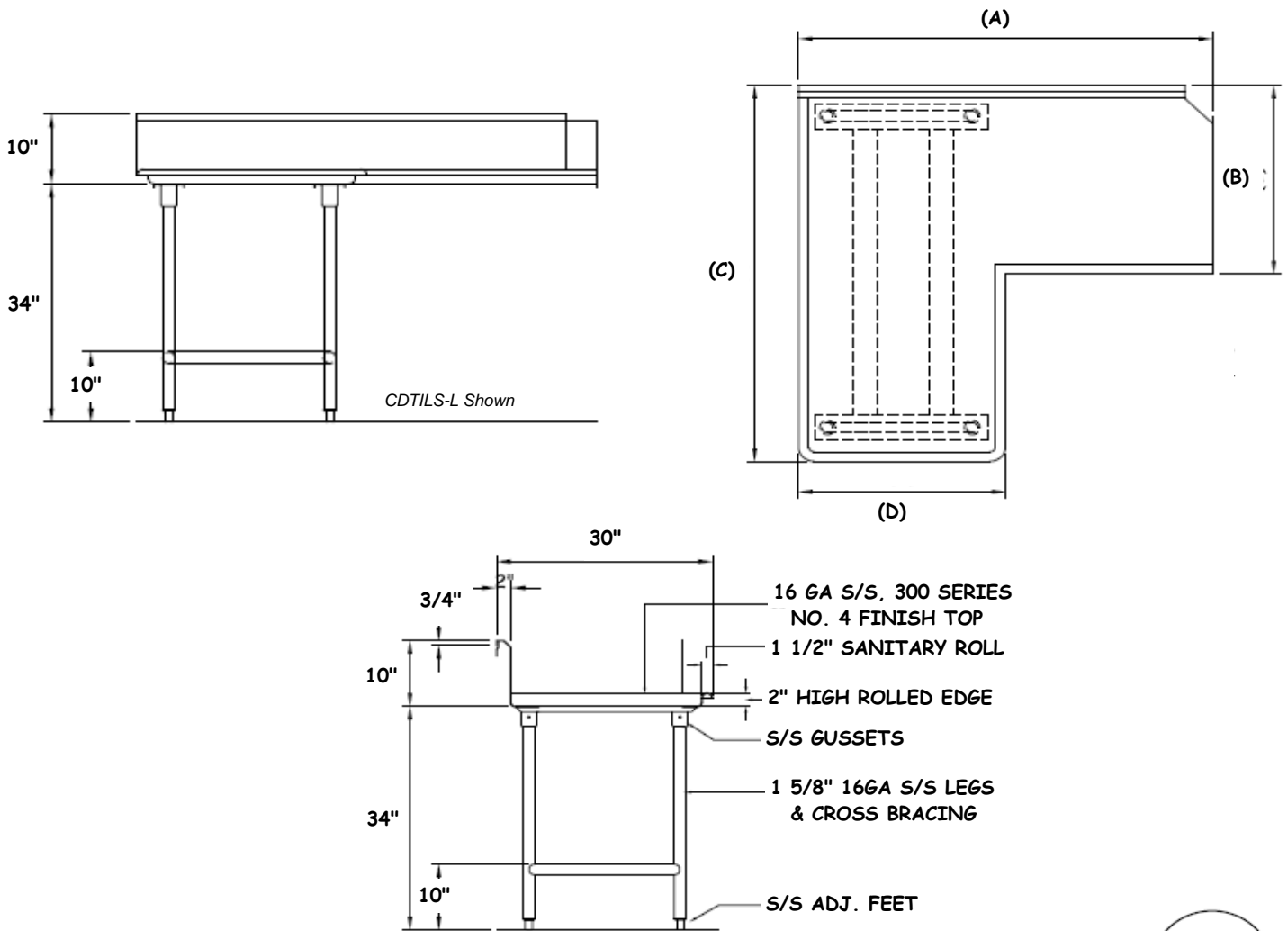
www.weststarindustries.com

4445 E. Fremont Street / Stockton, CA 95215

Phone: 800-326-2288 Fax: (209) 955-8250 CL# 422322

Email: wsi@weststarindustries.com

Note: Specifications are subject to change without notice.



MODEL NUMBER (Left side of Dish Machine)	OVERALL DIMENSIONS				MODEL NUMBER (Right side of Dish Machine)	WT. (LBS.)
	A	B	C	D		
CDTILS-72L	72"	30"	60"	30"	CDTILS-72R	130
CDTILS-84L	84"	30"	60"	30"	CDTILS-84R	140
CDTILS-96L	96"	30"	60"	30"	CDTILS-96R	150
CDTILS-108L	108"	30"	60"	30"	CDTILS-108R	160
CUSTOM	A	B	C	D	CUSTOM	

WT. = Crated shipping weight

Custom Sizes Available!

www.weststarindustries.com
 4445 E. Fremont Street / Stockton, CA 95215
 Phone: 800-326-2288 Fax: (209) 955-8250 CL# 422322
 Email: ws@weststarindustries.com
 Note: Specifications are subject to change without notice.