



SNEEZEGUARDS

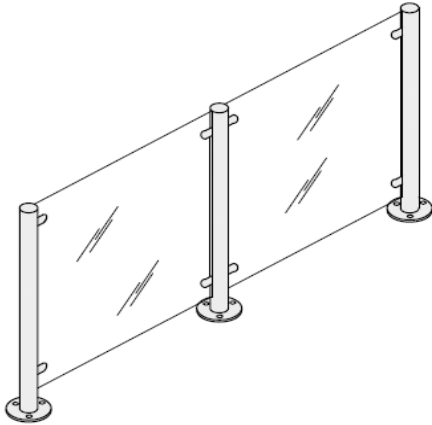
PREMIER LINE

Partition/Pass Over Style	2
Vertical Self Service	3
Pass Over Style, s/s top, glass front.	4
Pass Over Style, glass top, glass front	5
Pass Over Style, cantilever glass top, glass front	6
Self Service Style, glass top.	7

Premier Line Sneezguards

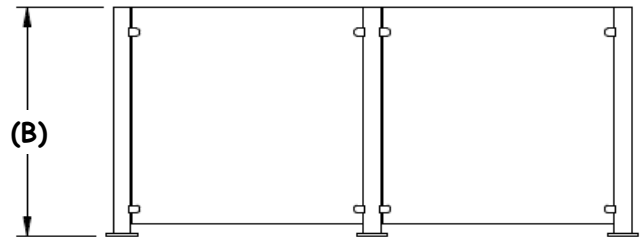
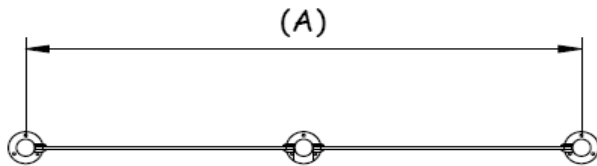
Vertical Sneezguards

Item #: _____ Qty #: _____
 Model #: _____
 Project: _____



Construction:

- 1 5/8" round stainless steel posts
- 3" mounting flange
- Stainless glass clips
- Heavy duty construction



Material:

Posts: 1 5/8" brushed stainless steel

Glass: Clear 1/4" tempered with polished edges

MODEL NUMBER	OVERALL DIMENSIONS		WT. (LBS.)
	A	B	
SG-36	36"	24"	20
SG-48	48"	24"	37
SG-60	60"	24"	42
SG-72	72"	24"	48
SG-84	84"	24"	53
SG-96	96"	24"	58
SG-120	120"	24"	63
SG-132	132"	24"	72
SG-144	144"	24"	75
CUSTOM	A	B	

WT. = Crated shipping weight

Custom Sizes Available!

Options:

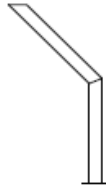
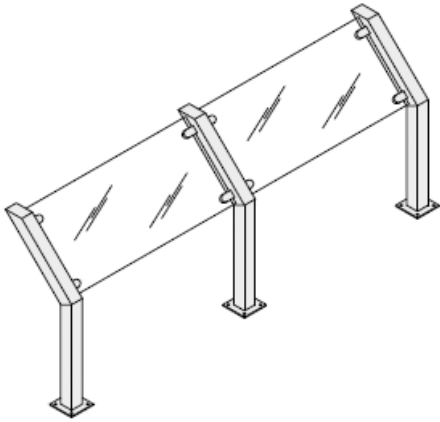
- 1 1/2" x 1 1/2" square posts
 Other _____

****Submittal drawings required prior to fabrication****

Premier Line Sneezguards

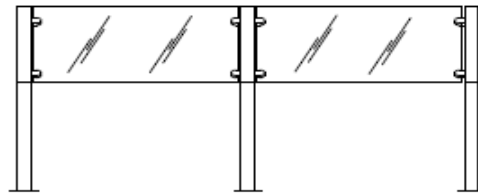
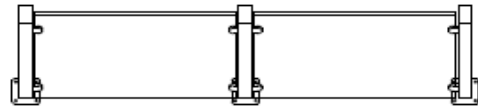
Vertical Self Service Sneezguards

Item #: _____ Qty #: _____
 Model #: _____
 Project: _____



Construction:

- 1 1/2" x 1 1/2" square stainless steel posts
- 3" mounting flange
- Stainless glass clips
- Heavy duty construction



Material:

Posts: 1 1/2" x 1 1/2" square brushed stainless steel

Glass: Clear 1/4" tempered with polished edges

MODEL NUMBER	OVERALL DIMENSIONS		WT. (LBS.)
	A	B	
SG1-36	36"	24"	20
SG1-48	48"	24"	37
SG1-60	60"	24"	42
SG1-72	72"	24"	48
SG1-84	84"	24"	53
SG1-96	96"	24"	58
SG1-120	120"	24"	63
SG1-132	132"	24"	72
SG1-144	144"	24"	75
CUSTOM	A	B	

WT. = Crated shipping weight

Custom Sizes Available!

Options:

- 1" x 1" square posts
 Other _____

****Submittal drawings required prior to fabrication****

www.weststarindustries.com

4445 E. Fremont Street / Stockton, CA 95215

Phone: 800-326-2288 Fax: (209) 955-8250 CL# 422322

Email: wsi@weststarindustries.com

Note: Specifications are subject to change without notice.

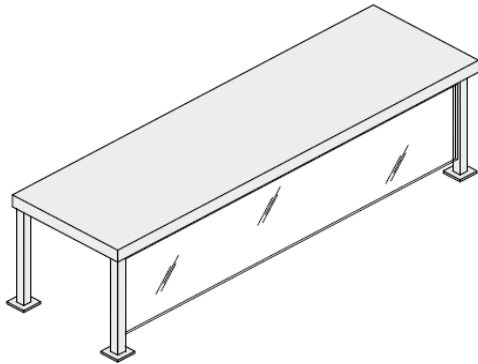
Premier Line Sneezguards

Pass Over Sneeze Guard

Item #: _____ Qty #: _____

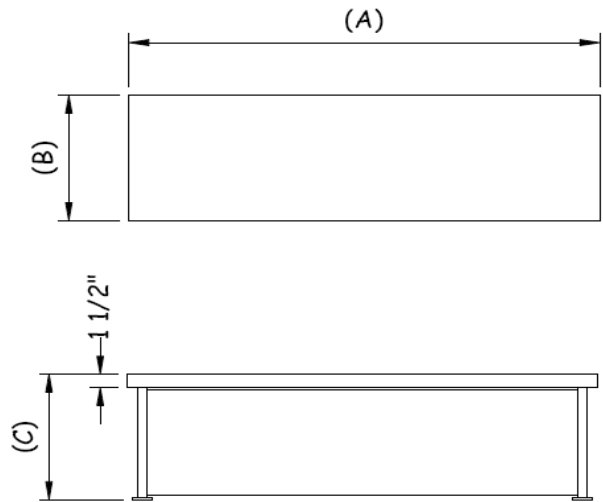
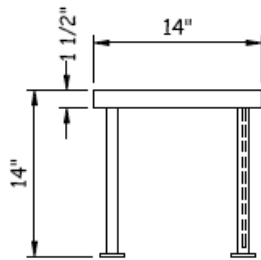
Model #: _____

Project: _____



Construction:

- 1 1/2" x 1 1/2" square stainless steel posts
- 2 1/2" x 2 1/2" mounting flange
- 304 series stainless steel top
- Heavy duty construction



Material:

Posts: 1 1/2" x 1 1/2" brushed stainless steel

Glass: Clear 1/4" tempered with polished edges

Top: 18 ga 304 stainless steel

MODEL NUMBER	OVERALL DIMENSIONS			WT. (LBS.)
	A	B	C	
SGS-36	36"	14"	14"	41
SGS-48	48"	14"	14"	65
SGS-60	60"	14"	14"	75
SGS-72	72"	14"	14"	85
SGS-84	84"	14"	14"	95
SGS-96	96"	14"	14"	105
SGS-120	120"	14"	14"	120
SGS-132	132"	14"	14"	130
SGS-144	144"	14"	14"	140
CUSTOM	A	B	C	

WT. = Crated shipping weight

Custom Sizes Available!

Options:

- 1 5/8" S/S posts
- Right glass end panel
- Left glass end panel
- Other _____

****Submittal drawings required prior to fabrication****

www.weststarindustries.com

4445 E. Fremont Street / Stockton, CA 95215

Phone: 800-326-2288 Fax: (209) 955-8250 CL# 422322

Email: wsi@weststarindustries.com

Note: Specifications are subject to change without notice.

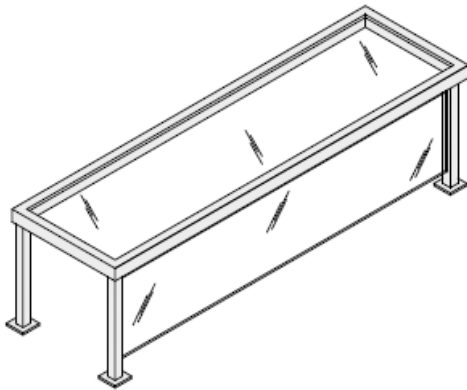
Premier Line Sneezguards

Pass Over Sneeze Guard

Item #: _____ Qty #: _____

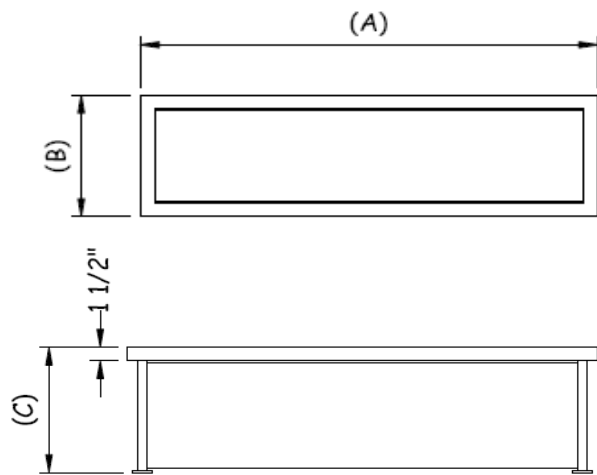
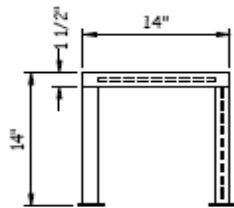
Model #: _____

Project: _____



Construction:

- 1 1/2" x 1 1/2" square stainless steel posts
- 2 1/2" x 2 1/2" mounting flange
- 1/4" glass top with stainless steel frame
- Heavy duty construction



Material:

Posts: 1 1/2" x 1 1/2" brushed stainless steel

Glass: Clear 1/4" tempered with polished edges

Top: Clear 1/4" tempered with polished edges

MODEL NUMBER	OVERALL DIMENSIONS			WT. (LBS.)
	A	B	C	
SGG-36	36"	14"	14"	41
SGG-48	48"	14"	14"	65
SGG-60	60"	14"	14"	75
SGG-72	72"	14"	14"	85
SGG-84	84"	14"	14"	95
SGG-96	96"	14"	14"	105
SGG-120	120"	14"	14"	120
SGG-132	132"	14"	14"	130
SGG-144	144"	14"	14"	140
CUSTOM	A	B	C	

WT. = Crated shipping weight

Custom Sizes Available!

Options:

- Right glass end panel
- Left glass end panel
- Other _____

****Submittal drawings required prior to fabrication****

www.weststarindustries.com

4445 E. Fremont Street / Stockton, CA 95215

Phone: 800-326-2288 Fax: (209) 955-8250 CL# 422322

Email: wsi@weststarindustries.com

Note: Specifications are subject to change without notice.

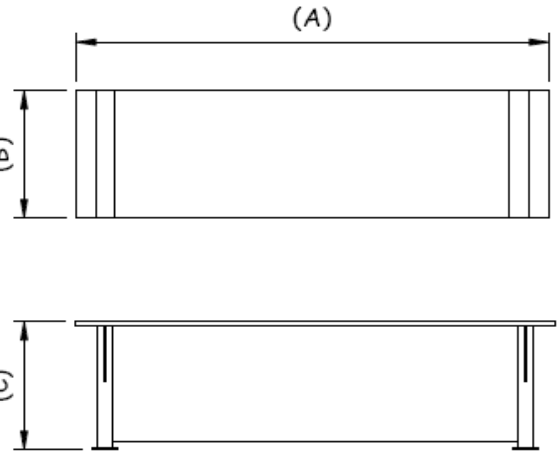
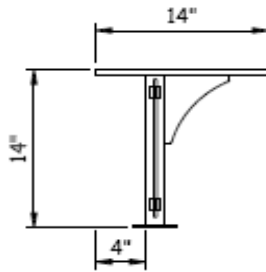
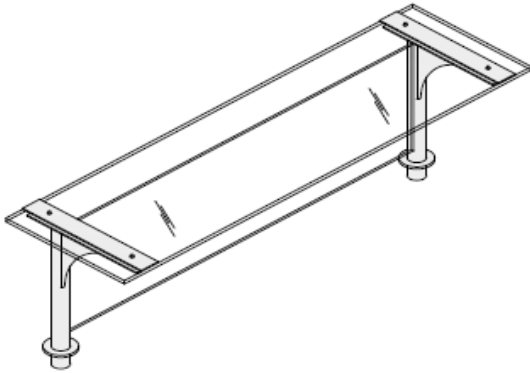
Premier Line Sneezguards

Pass Over Sneeze Guard

Item #: _____ Qty #: _____

Model #: _____

Project: _____



Construction:

- 1 5/8" round stainless steel posts
- 3" mounting flange
- 1/4" glass front and top
- Heavy duty construction

Material:

Posts: 1 5/8" brushed stainless steel

Glass: Clear 1/4" tempered with polished edges

Top: Clear 1/4" tempered with polished edges

MODEL NUMBER	OVERALL DIMENSIONS			WT. (LBS.)
	A	B	C	
SGGR-36	36"	14"	14"	20
SGGR-48	48"	14"	14"	30
SGGR-60	60"	14"	14"	35
SGGR-72	72"	14"	14"	40
SGGR-84	84"	14"	14"	45
SGGR-96	96"	14"	14"	50
SGGR-120	120"	14"	14"	55
SGGR-132	132"	14"	14"	60
SGGR-144	144"	14"	14"	70
CUSTOM	A	B	C	

WT. = Crated shipping weight

Custom Sizes Available!

Options:

- 1 1/2" square posts
- Other _____

****Submittal drawings required prior to fabrication****

www.weststarindustries.com

4445 E. Fremont Street / Stockton, CA 95215

Phone: 800-326-2288 Fax: (209) 955-8250 CL# 422322

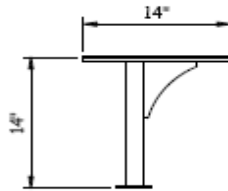
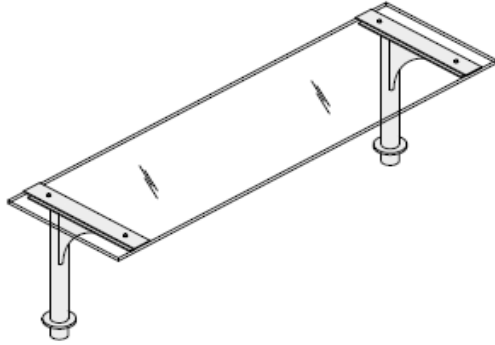
Email: wsi@weststarindustries.com

Note: Specifications are subject to change without notice.

Premier Line Sneezguards

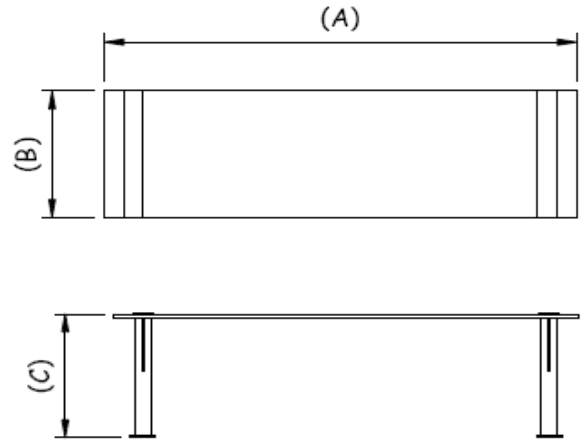
Self Service Sneeze Guard

Item #: _____ Qty #: _____
 Model #: _____
 Project: _____



Construction:

- 1 5/8" round stainless steel posts
- 3" mounting flange
- Glass top
- Heavy duty construction



Material:

Posts: 1 5/8" brushed stainless steel

Glass: Clear 1/4" tempered with polished edges

MODEL NUMBER	OVERALL DIMENSIONS			WT. (LBS.)
	A	B	C	
SGHR-36	36"	14"	14"	20
SGHR-48	48"	14"	14"	30
SGHR-60	60"	14"	14"	35
SGHR-72	72"	14"	14"	40
SGHR-84	84"	14"	14"	45
SGHR-96	96"	14"	14"	50
SGHR-120	120"	14"	14"	55
SGHR-132	132"	14"	14"	60
SGHR-144	144"	14"	14"	70
CUSTOM	A	B	C	

WT. = Crated shipping weight

Custom Sizes Available!

Options:

- 1 1/2" square posts
 Other _____

****Submittal drawings required prior to fabrication****

www.weststarindustries.com

4445 E. Fremont Street / Stockton, CA 95215

Phone: 800-326-2288 Fax: (209) 955-8250 CL# 422322

Email: wsj@weststarindustries.com

Note: Specifications are subject to change without notice.